

Genesis® G20MAX

20V 1/2" DRILL/DRIVER

GLCD2012B

Perceuse / Tournevis de 13 mm 20 V
Taladro/ Destornillador de 1/2" de 20V

Operator's Manual

Manuel d'utilisation
Manual del operario



TOLL-FREE HELP LINE: **888-552-8665**
LIGNE D'ASSISTANCE SANS FRAIS :
LÍNEA DE AYUDA GRATUITA:
www.genesispowertools.com

SAVE THIS MANUAL FOR FUTURE REFERENCE
CONSERVER CE MANUEL POUR FUTURE RÉFÉRENCE
GUARDE ESTE MANUAL PARA FUTURAS CONSULTAS



Look for this symbol to point out important safety precautions. It means attention!!! Your safety is involved.



⚠️ WARNING: Read and understand all warnings, cautions and operating instructions before using this equipment. Failure to follow all instructions listed below may result in electric shock, fire and/or serious personal injury.



⚠️ WARNING: The Operation of any power tool can result in foreign objects being thrown into your eyes, which can result in severe eye damage. Before beginning tool operation, always wear safety goggles or safety glasses with side shields and a full face shield when needed. We recommend Wide Vision Safety Mask for use over eyeglasses or standard safety glasses with side shields. Always wear eye protection which is marked to comply with ANSI Z87.1.

GENERAL SAFETY RULES

⚠️ WARNING: Some dust created by power sanding, sawing, grinding, drilling, and other construction activities contains chemicals known to cause cancer, birth defects or other reproductive harm. Some examples of these chemicals are:

- Lead from lead-based paints.
- Crystalline silica from bricks and cement and other masonry products.
- Arsenic and chromium from chemically treated lumber.

Your risk from these exposures varies, depending on how often you do this type of work. To reduce your exposure to these chemicals: work in a well-ventilated area, and work with approved safety equipment, such as those dust masks that are specially designed to filter out microscopic particles.

WORK AREA SAFETY

- **Keep your work area clean and well lit.** Cluttered benches and dark areas invite accidents.
- **Do not operate power tools in explosive atmospheres**, such as in the presence of flammable liquids, gases, or dust. Power tools create sparks which may ignite the dust or fumes.
- **Keep bystanders, children, and visitors away while operating a power tool.** Distractions can cause you to lose control.

ELECTRICAL SAFETY

- **Power tool plugs must match the outlet.** Never modify the plug in any way. Do not use any adaptor plugs in any earthed (grounded) power tools. Double insulated tools are equipped with a polarized plug (one blade is wider than the other). This plug will fit in a polarized outlet only one way. If the plug does not fit fully in the outlet, reverse the plug. If it still does not fit, contact a qualified electrician to install a polarized outlet. Do not change the plug in any way. Double insulation

eliminates the need for the three-wire grounded power cord and grounded power supply system.

- **Do not expose power tools to rain or wet conditions.** Water entering a power tool will increase the risk of electric shock.
- **Avoid body contact with earthed or grounded surfaces such as pipes, radiators, ranges and refrigerators.** There is an increased risk of electric shock if your body is grounded.
- **Do not abuse the cord.** Never use the cord for carrying, pulling or unplugging the power tool. Keep cord away from heat, oil, sharp edges or moving parts. Damaged cords increase the risk of electric shock.
- **When operating a power tool outside, use an extension cord suitable for outdoor use.** These cords are rated for outdoor use and reduce the risk of electric shock.
- **Do not use AC only rated tools with a DC power supply.** While the tool may appear to work. The electrical components of the AC rated tool are likely to fail and create a hazard to the operator.

PERSONAL SAFETY

- **Stay alert,** watch what you are doing and use common sense when operating a power tool. Do not use tool while tired or under the influence of drugs, alcohol, or medication. A moment of inattention while operating power tools may result in serious personal injury.
- **Use safety equipment.** Always wear eye protection. Safety equipment such as dust mask, non-skid safety shoes, hard hat, or hearing protection for appropriate conditions will reduce personal injuries.
- **Dress properly.** Do not wear loose clothing or jewelry. Keep your hair, clothing and gloves away from moving parts. Loose clothes, jewelry or long hair can be caught in moving parts. Air vents may cover moving parts and should be avoided.

GENERAL SAFETY RULES

- **Avoid accidental starting.** Ensure the switch is in the off position before plugging in. Carrying power tool with your finger on the switch or plugging in power tools that have the switch on invites accidents.
- **Remove any adjusting keys or wrenches before turning the power tool on.** A wrench or key that is left attached to a rotating part of the tool may result in personal injury.
- **Do not overreach.** Maintain proper footing and balance at all times. Loss of balance can cause an injury in an unexpected situation.
- **If devices are provided for connection of dust extraction and collection facilities, ensure these are connected and properly used.** Use of these devices can reduce dust related hazards.
- **Do not use a ladder or unstable support.** Stable footing on a solid surface enables better control of the tool in unexpected situations.
- **Keep tool handles dry, clean and free from oil and grease.** Slippery handles cannot safely control the tool.

TOOL USE AND CARE

- **Secure the workpiece.** Use clamp or other practical way to hold the workpiece to a stable platform. Holding the workpiece by hand or against your body is unstable and may lead to loss of control.
- **Do not force the power tool.** The tool will perform the job better and safer at the feed rate for which it is designed. Forcing the tool could possibly damage the tool and may result in personal injury.
- **Use the correct power tool for the job.** Do not force the tool or attachment to do a job for which it is not designed.
- **Do not use a tool if the switch does not turn it on or off.** Any tool that cannot be controlled with the switch is dangerous and must be repaired or replaced by an authorized service center.
- **Turn the power tool off, and disconnect the plug** from the power source and/or battery pack from the power tool before making any adjustments, changing the accessories, or storing the tools. Such preventive safety measures reduce the risk of an accidental start up which may cause personal injury.
- **Store idle tools out of reach of children and other inexperienced persons.** It is dangerous in the hand of untrained users.
- **Maintain power tools with care.** Check for proper alignment and binding of moving parts, component breaks, and any other conditions that may affect the tool's operation. A guard or any other part that is damaged must be properly repaired or replaced by an authorized service center to avoid risk of personal injury.
- **Only use recommended accessories.** Using accessories and attachments not recommended by the manufacturer or intended for use on this type tool may cause damage to the tool or result in personal

injury to the user. Consult the operator's manual for recommended accessories.

- **Keep cutting tools sharp and clean.** Properly maintained cutting tools with sharp cutting edges are less likely to bind and are easier to control.
- **Feed the workpiece in the correct direction and speed.** Feed the workpiece into a blade, cutter, or abrasive surface against the direction of the cutting tool's direction of rotation only. Incorrectly feeding the workpiece in the same direction may cause the workpiece to be thrown out at high speed.
- **Never leave the tool running unattended, turn the power off.** Do not leave the tool until it comes to a complete stop.

BATTERY TOOL USE AND CARE

- **Ensure the switch trigger is in the off position before inserting the battery pack.** Inserting the battery pack into a power tool that have the switch on invites accidents.
- **Recharge only with the charger specified by the manufacturer.** A charger that is suitable for one type of battery pack may create a risk of fire when used with another battery pack.
- **Use battery tools only with specified battery packs.** Use of any other battery packs may create a risk of injury and fire.
- **Avoid storing the battery pack in a container with other metal objects** such as nails, coins, clips, keys, screws, or other small metal objects that can make a connection from one terminal to another. Always protect the battery terminals when battery pack is not being used. Connecting the battery terminals together may cause burns or a fire.
- **Under abusive conditions, liquid may be ejected from the battery.** Avoid contact. If contact does occur accidentally, flush with water. If liquid contacts eyes, seek immediate medical assistance. Liquid ejected from the battery may cause irritation or burns.
- **Battery tools do not need to be plugged into an electrical outlet,** therefore, they are always in operation condition. Be aware of possible hazards when not using your battery tool or when changing accessories. Following this rule will reduce the risk of electric shock, fire or personal injury.

SERVICE

- **Have your power tool serviced by a qualified repair person using only identical replacement parts.** This will ensure that the safety of the power tool is maintained.
- **Service your power tool periodically.** When cleaning a tool, be careful not to disassemble any portion of the tool since internal wires may be misplaced or pinched.

SAVE THESE INSTRUCTIONS

EXTENSION CORDS

If an extension cord is necessary, a cord with adequate size conductors that is capable of carrying the current necessary for your tool must be used. This will prevent excessive voltage drop, loss of power or overheating. Grounded tools must use 3-wire extension cords that have 3-prong plugs and receptacles.

NOTE: The smaller the gauge number, the heavier the cord.

Recommended Minimum Wire Gauge for Extension Cords (120 Volt)

Nameplate Amperes (At Full Load)	Extension Cord Length (Feet)					
	25	50	75	100	150	200
0-2	18	18	18	18	16	16
2-3.5	18	18	18	16	14	14
3.5-5	18	18	16	14	12	12
5-7	18	16	14	12	12	10
7-12	18	14	12	10	8	8
12-16	14	12	10	10	8	6

IMPORTANT SAFETY INSTRUCTIONS FOR CHARGER & BATTERY

- **Save these instructions.** This manual contains important safety and operating instructions for your battery and charger.
- **Before using the battery charger,** read all instructions and cautionary markings on (1) Battery Charger, (2) Battery, and (3) Product using battery.
- **Use only the charger** which accompanied your product or direct replacements as listed in this manual. Do not substitute any other charger.
- **Do not recharge the battery in damp or wet environments.** Do not expose the battery pack to water or rain.
- **Do not operate the charger with damaged cord or plug.** Replace immediately.
- **Do not operate a charger if it has received a sharp blow,** been dropped or otherwise damaged in any way. Take it to a qualified serviceman.
- **Do not disassemble a charger or a battery pack.** Take it to a qualified serviceman when service or repair is required. Incorrect reassembly may result in a risk of electric shock or fire.
- **Do not charge the battery pack** when temperature is below 50 °F (10 °C) or above 104 °F (40°C). Store the tool and battery pack in a location where temperature will not exceed 122 °F (50 °C). This is important to prevent serious damage to the battery cells.
- **Place the charger on a flat non-flammable surface** and away from flammable materials when re-charging the battery pack.
- **To reduce risk of electric shock,** unplug the charger from outlet before attempting any maintenance or cleaning.
- **If operating time has become excessively shorter,** stop operating immediately. It may result in a risk of overheating, possible burns and even an explosion.
- **Battery leakage may occur** under extreme usage or temperature conditions. Avoid contact with skin and eyes. If liquid comes in contact with your skin, wash immediately with soap and water. If liquid gets into your eyes, wash them out with clear water for at

least 10 minutes, and then seek medical attention right away.

- **Do not attempt to use a step-up transformer,** an engine generator or DC power receptacle.
- **Do not short the battery pack.** Do not touch the terminal with any conductive material. Avoid storing battery pack in a container with other metal objects such as nails, coins, etc. Always protect the battery terminals when battery pack is not used.
- **Do not charge a battery pack inside a box or container of any kind.** The battery must be placed in a well ventilated area during charging.
- **Do not allow anything to cover or clog the charger vents.**
- **Do not incinerate the battery pack** even if it is severely damaged or is completely worn out. The battery pack can explode in a fire.
- **Disconnect the charger from the power source when not in use.** This will reduce the risk to electric shock or damage to the charger if metal pieces should fall into the opening. It also will help prevent damage to the charger during a power surge.

⚠ WARNING: A battery short can cause a large current flow, overheating, possible burns and even a breakdown.

IMPORTANT BATTERY INFORMATION: DISPOSING OF THE BATTERY

- Your batteries are LITHIUM-ION rechargeable batteries. Certain Local, State and Federal laws prohibit disposal of these batteries in ordinary trash.
- Consult your local waste authorities for your disposal/recycling options.
- More information regarding battery disposal in U.S. and Canada is available at: <http://www.rbc.org/index.html>, or by calling 1-800-822-8837 (1-800-8BATTERY).



SAVE THESE INSTRUCTIONS

SYMBOLS

IMPORTANT: Some of the following symbols may be used on your product and appear throughout the manual. Please study them and learn their meaning for critical information to operate the tool safely.

SYMBOL	DESCRIPTION	SYMBOL	DESCRIPTION	SYMBOL	DESCRIPTION
V	Volts	RPM	Revolutions per minute		Warning symbol. Precautions that involve your safety
A	Amperes	SPM	Strokes per minute		To reduce the risk of injury, read Operator's Manual before using this product
Hz	Hertz	OPM	Oscillations per minute		Wear safety glasses, ear protection and respiratory protection
W	Watts	or A.C.	Alternating current		Do not dispose with household waste
n _o	No Load Speed	or D.C.	Direct current		Do not touch the running blade
kg	Kilograms		Do not use in wet conditions		Class II Double Insulated construction
H	Hours		Battery cannot exceed 59° C		This symbol designates that this product is listed with U.S. and Canada requirements by ETL testing Laboratories, Inc.
.../min	Per minute		Do not put battery in fire		

SPECIFIC SAFETY RULES FOR CORDLESS DRILLS

⚠ WARNING: Do not let comfort or familiarity with product (gained from repeated use) replace strict adherence to product safety rules. If you use this tool unsafely or incorrectly, you can suffer serious personal injury!

⚠ WARNING: Hold the tool by insulated gripping surfaces when performing an operation where cutting tools may contact hidden wiring or its own cord. Contact with a "live" wire will make exposed metal parts of the tool "live" and shock the operator!

- **Do not leave the tool running.** Operate the tool only when hand-held.
- **Be aware that this tool is always in an operating condition,** because it does not have to be plugged into an electric outlet.
- **When operating the tool from an elevated position,** be aware of people or things beneath you.
- **Always hold the tool firmly in your hands before switching the tool "ON".** The reaction to the torque of the motor as it accelerates to full speed may cause the tool to twist.
- **Wear eye and hearing protection.** Always use safety glasses with side shields. Unless otherwise specified, everyday glasses provide only limited impact resistance, they are not safety glasses. Use only certified

safety equipment; eye protection equipment should comply with ANSI z87.1 standards. Protective hearing equipment should comply with ANSI s3.19 standards.

- **Protect your lungs.** Wear a face or dust mask if the operation is dusty. Following this rule will reduce the risk of personal injury.
- **Always disconnect battery pack from tool** or place the switch in the locked or off position before any assembly, adjustments or changing of accessories. Following this instruction will reduce the risk of serious personal injury.
- **Do not place battery tools or their batteries near fire or heat.** This will reduce the risk of explosion and possibly personal injury.
- **Never use a battery which has been dropped or received a sharp blow.** A damaged battery is subject to explosion. Properly dispose of a dropped or damaged battery immediately.
- **Use designated battery packs (Genesis™ - Model GLAB2020B or GLAB2040B) and charger for this tool.** Use of any other batteries may result in a risk of fire.

⚠ WARNING: Read and understand all warnings, cautions and operating instructions before using this equipment. Failure to follow all instructions listed below may result in electric shock, fire and/or serious personal injury.

UNPACKING & CONTENTS

IMPORTANT: Due to modern mass production techniques, it is unlikely the tool is faulty or that a part is missing. If you find anything wrong, do not operate the tool until the parts have been replaced or the fault has been rectified. Failure to do so could result in serious personal injury.

CONTENT IN PACKAGE

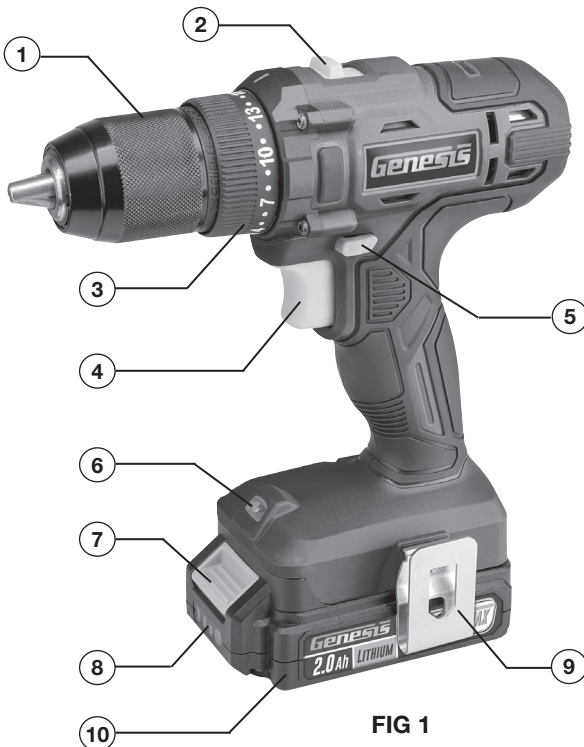
Description	Quantity	Description	Quantity
Drill/Driver	1	Belt Clip	1
Battery Pack GLAB2020B	1	Screwdriver Bit	1
Charger	1	Operator's Manual	1

SPECIFICATIONS

Motor Power 20V DC
No-Load Speed 0-380 / 0-1500 RPM, Reversible
Chuck Size 1/2" (13mm)
Chuck Settings 22+Drill Mode

Maximum Torque 450 in-lb
Battery 20V Lithium-ion, 2.0Ah
Charger 120V~/60Hz, 1.7A
Net Weight 3.2 lb.

PRODUCT OVERVIEW



1. Keyless Metal Chuck
2. 2-Speed Gear Switch
3. Clutch/Torque Ring
4. Trigger Switch
5. Reversing Switch
6. LED Work Light
7. Battery Lock Tab
8. Battery Power Indicators
9. Belt Clip
10. Battery Pack
11. Charger
12. Screwdriver Bit

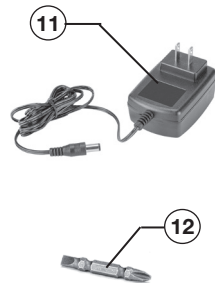


FIG 1

OPERATION

⚠ WARNING: To reduce the risk of serious personal injuries, read and follow all important safety warning and instructions before using this tool.

⚠ WARNING: Always be sure that the tool is switched off before insertion or removal of the battery pack.

INSTALLING OR REMOVING THE BATTERY PACK (FIG 2)

- To install the battery pack, slide the battery pack into the bottom of the tool housing all the way until it locks in place with a click, as shown in FIG 2. Lightly pull on the battery to ensure it is locked into place and will not accidentally fall out of the tool, causing an injury.
- To remove the battery pack, pull the battery pack away from the tool while depressing the battery locking tab (7).

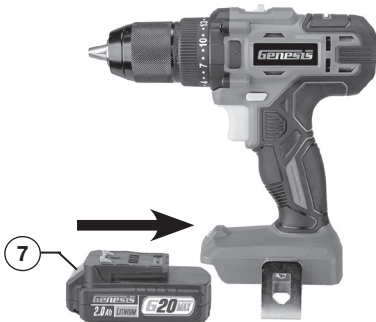


FIG 2

CHARGING THE BATTERY (FIG 3)

NOTE: Always check that the power supply corresponds to the voltage on the ratings plate.

- Plug the charger (11) into a 120 Volt AC power source. The green indicator light on the charger will illuminate, confirming it is powered.
- Connect the charger to the battery (10) as shown in FIG 3. The red light on the charger will illuminate, indicating that the battery is charging. Meanwhile, the power indicator lights (8) on the battery pack will flash, indicating the charging status.
- All three indicator lights will turn solid green once charging is complete.
- It is normal for the battery pack to become warm while charging.
- If the battery pack is hot after continuous use in the tool, allow it to cool down to room temperature before charging. This will extend the life of your batteries.

NOTE: It takes approximately 80 minutes to charge up a completely discharged 2.0Ah battery pack.

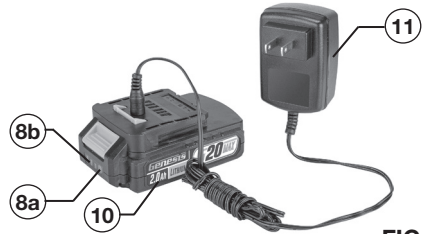


FIG 3

BATTERY POWER INDICATOR (FIG 3)

There is a battery power indicator on the battery pack. It has three green lights (8b). Depress the power indicator button (8a) on the side to check the battery power level. When all three lights illuminate, it indicates the battery is at full power. The battery is at half full power when two lights illuminate. When one light illuminates only, it indicates that the battery is at low power level and requires immediate charging.

⚠ WARNING: Always disconnect the battery pack from the tool or place the switch in the locked or off position before any assembly, adjustments or changing accessories.

TRIGGER SWITCH ACTION (FIG 4)

- Turn the drill On by depressing the trigger switch (4).
- Depressing the switch further will produce more speed and torque.
- Use the reversing switch (5) to change the direction of rotation of the drill.
- The reversing switch has three positions: Forward, Reverse, and Off (middle).
- Always check the rotation before beginning your work.



FIG 4

TWO-SPEED GEAR SWITCH (FIG 4)

- Slide the speed gear switch (2) to choose between position 1 for high-speed range (0-1500 RPM) and position 2 for low-speed range (0-380 RPM).
- The low-speed range has more power and torque. Use the low-speed range for high-power and torque applications.
- The high-speed range is for fast drilling or driving applications.

OPERATION

LED WORK LIGHT

Your tool has a built-in LED work light (6-FIG 1) to illuminate the work area. When you turn on the tool, the work light will automatically turn on.

ELECTRIC BRAKE

This drill is equipped with an electric brake. Like the torque settings, an electric brake provides you with another element of control during various operations. If the tool consistently fails to quickly stop after the trigger switch is released, have a qualified serviceman examine the tool.

CHUCK (FIG 5)

- Your drill is equipped with a keyless single-sleeve metal ratcheting chuck (1), so you can quickly change bits with no extra tools required.
- To insert or change bits, put the reversing switch in the off (middle) position. Rotate the chuck body counter-clockwise to open the chuck jaws (1a) to a point where the opening is slightly larger than the bit size you intend to use. Insert the bit. Tighten the chuck jaws by rotating the chuck body clockwise to secure the bit in place.

NOTE: Always make sure that bits are seated firmly between the chuck jaws. Never attempt to operate a bit that is wobbly, unstable, or broken.

- To remove bits, place the reversing switch in the Off (middle) position. Loosen the chuck jaws by rotating the chuck body counter-clockwise. Remove the bit.



WARNING: Make sure the drill bit is inserted straight into the chuck jaws. Do not insert the drill bit into the chuck jaws at an angle and tighten. This could cause the drill bit to be thrown from the drill, resulting in possible serious personal injury.

CLUTCH (TORQUE) SETTINGS

- During screw driving applications, you can adjust the maximum torque that the drill will produce.
- This feature can be used to prevent the stripping and breaking of screws, or to set a series of screws to a depth that fits your project.
- Set the clutch ring (3-FIG 1) to settings from 1 (lightest) to 22 (heaviest). Drill mode (III) is direct drive (torque is not limited) and used primarily for drilling operations.
- In general, you will find the lower settings more useful with smaller screws and the higher settings more useful for larger screws.

APPLICATIONS

GENERAL SCREWDRIVING

1. Clamp your workpiece.
2. Drill pilot holes for larger screws or when driving screws into hardwoods.
3. Exert enough pressure to start the screw and keep it turning. Do not force the screw. Let the tool do the work.
4. Use a speed that will not strip the screw head or break the screw. Maintain your balance.

GENERAL DRILLING

1. Clamp your workpiece. Use the drill mode (III) then exert enough pressure to start the drill bit and keep drilling. Do not force or stall the bit. Do not bend or twist the bit. Let the tool and the drill bit do the work.
2. Maintain your balance and be prepared for binding and for bit breakthrough.

WARNING: Forcing a drill bit, bending or twisting the bit, or failure to maintain balance in case of binding and breakthrough can result in serious personal injury.

3. Chattering or vibration may indicate you need a finer bit or higher speed. If the bit overheats or clogs, it may indicate you need a coarser bit or slower speed setting. Replace bits when they become dull. Dull bits will produce poor results and may overheat the drill.
4. Use a coating of light oil when drilling into metal to help cool the bit, increase drilling action and extend drill bit life.

MAINTENANCE

CLEANING

Avoid using solvents when cleaning plastic parts. Most plastics are susceptible to damage from various types of commercial solvents and may be damaged by their use. Use clean cloths to remove dirt, dust, oil, grease, etc.

⚠️ WARNING: Do not at any time let brake fluids, gasoline, petroleum-based products, penetrating oils, etc., come in contact with plastic parts. Chemicals can damage, weaken or destroy plastic which may result in serious personal injury.

Electric tools used on fiberglass material, wallboard, spackling compounds, or plaster are subject to accelerated wear and possible premature failure because the fiberglass chips and grindings are highly abrasive to bearings, brushes, commutators, etc. Consequently, we do not recommend using this tool for extended work on these types of materials. However, if you do work with any of these materials, it is extremely important to clean the tool using compressed air.

LUBRICATION

This tool is permanently lubricated at the factory and requires no additional lubrication.

TWO-YEAR WARRANTY

This product is warranted free from defects in material and workmanship for 2 years after date of purchase. This limited warranty does not cover normal wear and tear or damage from neglect or accident. The original purchaser is covered by this warranty and it is not transferable. Prior to returning your tool to store location of purchase, please call our Toll-Free Help Line for possible solutions.

***THIS PRODUCT IS NOT WARRANTED IF USED FOR INDUSTRIAL OR COMMERCIAL PURPOSES.
ACCESSORIES INCLUDED IN THIS KIT ARE NOT COVERED BY THE 2 YEAR WARRANTY.***

TOLL-FREE HELP LINE

For questions about this or any other GENESIS™ Product, please call Toll-Free: **888-552-8665**.

Or visit our web site: **www.genesispowertools.com**

©Richpower Industries, Inc. All Rights reserved

Richpower Industries, Inc.
736 Hampton Road
Williamston, SC 29697

Printed in China, on recycled paper



Repérez ce symbole qui signale d'importantes précautions de sécurité. Cela veut dire faites attention ! Votre sécurité est en jeu.



AVERTISSEMENT : Lisez et assimilez tous les avertissements, mises en garde et instructions d'utilisation avant de vous servir de cet équipement. Sinon vous risquez commotion électrique, début d'incendie et/ou blessures corporelles.



AVERTISSEMENT : L'utilisation de tout outil électrique peut causer la projection d'objets étrangers dans vos yeux, pouvant entraîner de sérieux dommages. Avant de commencer à vous servir de l'outil, portez toujours des lunettes de sécurité ou avec des écrans latéraux de protection, et une protection faciale complète si nécessaire. Nous recommandons le port d'un masque à vision large par dessus les lunettes. Portez toujours une protection oculaire qui est marquée comme en conformité avec ANSI Z87.1.

RÈGLES GÉNÉRALES DE SÉCURITÉ

AVERTISSEMENT : Certaines poussières produites par des appareils électriques de ponçage, sciage, meulage, perçage et autres travaux de construction contiennent des produits chimiques connus pour causer cancer, anomalies congénitales et autres atteintes à la reproduction. Voici quelques exemples de ces produits nocifs :

- Plomb des peintures au plomb.
- Silice cristalline des briques et du béton et d'autres matériaux de construction.
- Arsenic et chrome de bois d'œuvre traité chimiquement.

Votre risque en cas d'exposition varie, selon la fréquence d'exécution de ce type de tâches. Pour réduire votre exposition à ces produits : travaillez dans une zone bien ventilée en portant un équipement de sécurité approuvé, tel que masque à poussières spécialement conçu pour filtrer les particules microscopiques.

LIEU DE TRAVAIL

- **Gardez propre la zone de travail.** Les zones et établis en désordre attirent les accidents.
- **Ne pas utiliser d'outils électriques dans des atmosphères explosives,** par exemple en présence de liquidés, gaz ou poussières inflammables. Les outils électriques produisent des étincelles risquant d'enflammer les poussières ou vapeurs.
- **Gardez les badauds, enfants et visiteurs à l'écart pendant l'utilisation d'un outil électrique.** Les distractions peuvent causer une perte de contrôle.

SÉCURITÉ ÉLECTRIQUE

- **La puissance des bouchons outil doit correspondre à la prise électrique.** Ne jamais modifier la prise en aucune façon. Ne pas utiliser d'adaptateur de bouchons dans toute la terre (la terre) les outils électriques. Les outils à double isolation sont équipés d'une fiche polarisée (une broche est plus large que l'autre). Cette fiche ne peut être branchée sur une prise polarisée que dans un seul sens. Si la fiche ne peut pas être insérée dans la prise, l'inverser. Si vous ne pouvez toujours pas être l'insérer, faire installer une prise

polarisée par un électricien qualifié. Ne pas modifier la fiche, de quelque façon que ce soit. La double isolation élimine le besoin de cordon d'alimentation à trois fils et d'un circuit secteur mis à la terre.

- **NE PAS exposer les outils électriques à la pluie ou l'humidité.** La pénétration d'eau dans ces outils accroît le risque de choc électrique.
- **Éviter tout contact du corps avec des surfaces mises à la terre,** telles que tuyaux, radiateurs, cuisinières et réfrigérateurs. Le risque de choc électrique est accru lorsque le corps est mis à la terre.
- **NE PAS maltraiter le cordon d'alimentation.** Ne jamais utiliser le cordon d'alimentation pour transporter l'outil et ne jamais débrancher ce dernier en tirant sur le cordon. Garder le cordon à l'écart de la chaleur, de l'huile, des objets tranchants et des pièces en mouvement. Remplacer immédiatement tout cordon endommagé. Un cordon endommagé accroît le risque d'électrocution.
- **Lorsque l'exploitation d'un pouvoir en dehors des outils,** l'utilisation d'une rallonge électrique pour une utilisation extérieure. Ces cordons sont prévus pour une utilisation à l'extérieur et de réduire le risque de choc électrique.
- **NE PAS utiliser l'AC notées les outils d'une alimentation en courant continu.** Même si l'outil semble fonctionner, les composants électriques de l'AC notées outil sont susceptibles d'échouer et d'accroître le risque pour l'opérateur.

SÉCURITÉ PERSONNELLE

- **Rester attentif, prêter attention au travail et faire prévue de bon sens lors de l'utilisation de tout outil électrique.** Ne pas utiliser cet outil en état de fatigue ou sous l'influence de l'alcool, de drogues ou de médicaments. Un moment d'inattention pendant l'utilisation d'un outil électrique peut entraîner des blessures graves.
- **Utiliser l'équipement de sécurité. Toujours porter une protection oculaire.** Suivant les conditions, le port d'un masque filtrant, de chaussures de sécurité, d'un casque ou d'une protection auditive est recommandé.

RÈGLES GÉNÉRALES DE SÉCURITÉ

- **Portez une tenue appropriée.** Ne portez pas de vêtements flottants, gants, cravate, bracelets, montre de poignet ou autres bijoux qui peuvent être happés par des pièces en mouvement. Le port de chaussures antidérapantes est recommandé, ainsi que le port d'une couverture des cheveux s'ils sont longs.
- **Évitez d'un démarrage accidentel.** S'assurer que le commutateur est en position arrêt avant de brancher po. De transport outil avec le doigt sur l'interrupteur ou de brancher des outils électriques qui sont le commutateur invite accidents.
- **Enlevez les clés et outils de réglage avant de mettre en marche.** Les clés, clavettes, déchets et autres débris peuvent être projetés à grande vitesse, et ainsi causer des graves blessures.
- **NE travaillez pas à bout de bras.** Gardez une bonne posture et un bon équilibre en permanence, un déséquilibre peut amener votre chute sur la machine en action, avec possibilité de blessure.
- **Si dispositifs sont prévus pour la connexion d'extraction des poussières et des installations de collecte,** d'assurer ceux-ci sont connectés et utilisés correctement. L'utilisation de ces appareils peut réduire les risques liés à la poussière. Ne pas utiliser l'outil sur une échelle ou un support instable. Une bonne tenue et un bon équilibre permettent de mieux contrôler l'outil en cas de situation imprévue.
- **Maintenez l'outil sec, propre et sans huile ou graisse.** Utilisez toujours un chiffon propre pour le nettoyage. N'utilisez jamais de fluide pour freins, d'essence, de produits à base de pétrole, ni n'importe quel type de solvant pour nettoyer l'outil.
- **Entretien soigneusement les outils.** Vérifier qu'aucune pièce mobile n'est mal alignée, grippée ou brisée et s'assurer qu'aucun autre problème ne risqué d'affecter le bon fonctionnement de l'outil. En cas de dommages, faire réparer l'outil avant de l'utiliser de nouveau. De nombreux d'accidents sont causés par des outils mal entretenir.
- **N'utilisez que des accessoires recommandés.** L'utilisation d'accessoires et équipements annexes non recommandés par le constructeur ou non prévus pour être utilisés sur ce type d'outil peut causer des dégâts matériels et/ou des blessures corporelles pour l'utilisateur. Consultez le manuel d'utilisation pour connaître les accessoires recommandés.
- **Maintenir des outils de coupe nette et propre.** Bien entretenu avec des outils de coupe de pointe sont moins susceptibles de lier et sont plus faciles à contrôler.
- **Poussez la pièce à travailler dans la bonne direction à la bonne vitesse.** N'envoyez la pièce vers la lame le couteau ou la surface abrasive, selon la machine, que en sens opposé à la rotation de l'outil de coupe. Une mauvaise présentation de la pièce dans le même sens que la rotation de l'outil de coupe fait que la pièce est projetée à grande vitesse.
- **NE jamais laisser l'outil en marche sans surveillance.** Éteignez l'appareil. Ne laissez pas l'outil jusqu'à ce qu'il arrive à un arrêt complet.

UTILISATION ET ENTRETIEN DES OUTILS À BATTERIE

UTILISATION ET ENTRETIEN DE L'OUTIL

- **Sécurisation de la pièce à travailler.** Utilisez des serre-joints ou un étai pour maintenir la pièce travaillée quand c'est possible. C'est plus sûr que de se servir de sa ou ses mains et permet de garder ses deux mains libres pour actionner l'outil. La perte de contrôle de la pièce travaillée peut entraîner des blessures corporelles.
- **NE forcez pas sur l'outil.** L'outil effectuera la tâche de façon meilleure et plus sûre à la vitesse de pénétration pour laquelle il a été conçu. Forcer sur l'outil peut éventuellement endommager la machine et entraîner des blessures.
- **Utilisez le bon outil pour la tâche.** Ne forcez pas sur l'outil ou accessoire pour exécuter une tâche pour laquelle il n'a pas été conçu. N'utilisez pas l'outil pour une finalité non prévue car vous risquez des dégâts matériels et/ou des blessures corporelles.
- **N'utilisez pas l'outil si son interrupteur de marche/arrêt fonctionne mal.** Faites immédiatement remplacer les interrupteurs défectueux par un centre de réparations agréé.
- **Débrancher l'outil avant d'effectuer des réglages,** de changer d'accessoire ou de ranger l'outil. Ces mesures de sécurité réduisent les risques de démarrage accidentel de l'outil.
- **Ranger les outils non utilisés hors de portée des enfants et des personnes n'ayant pas reçu de formation adéquate.** Entre les mains de personnes n'ayant pas reçu de formation adéquate, les outils sont dangereux.
- **Veillez à ce que l'interrupteur soit dans la position de fermeture** avant d'insérer le bloc de batterie. L'insertion d'un bloc de batterie dans un outil électroportatif dont l'interrupteur est dans la position de marche est une invites aux accidents.
- **Rechargez avec le chargeur spécifié par le fabricant.** Un chargeur qui convient à un type de batterie créer un risque d'incendie lorsqu'il est utilisé avec une autre batterie.
- **Utilisez uniquement des outils électriques conçus spécifiquement pour la batterie.** L'utilisation d'autres batteries créer un risque de blessures et d'incendie.
- **Évitez de stocker la batterie dans un conteneur** avec d'autres objets métalliques tels que des clous, des pièces de monnaie, pinces, clés, vis ou autres petits objets métalliques qui peuvent faire une connexion à partir d'un terminal à un autre. Toujours protéger les bornes de la batterie lorsque la batterie n'est pas utilisée. Le court-circuitage de la batterie du terminals provoquer des brûlures ou un incendie.
- **Dans des conditions abusives,** du liquide peut être éjecté de la batterie, éviter tout contact, si un contact accidentel se produit, rincer avec de l'eau, liquide Si les contacts des yeux, de plus, chercher de l'aide médicale. Liquide éjecté de la batterie peut provoquer une irritation ou des brûlures.
- **Les outils fonctionnant sur batteries n'ayant pas besoin d'être branchés sur une prise secteur;** ils sont toujours en état de fonctionnement. Tenir compte des dangers possibles lorsque l'outil n'est pas en usage et lors du remplacement des batteries. Le respect de cette règle réduira les risques d'incendie, de choc électrique et de blessures graves.

RÈGLES GÉNÉRALES DE SÉCURITÉ

SERVICE

- **Demandez à votre outil électrique à être desservi par une personne qualifiée en utilisant uniquement des pièces identiques.** Cela permettra de s'assurer que la sécurité de l'outil électrique est maintenue.

- **L'entretien de votre outil électrique périodiquement.** Lors du nettoyage d'un outil, faire attention à ne pas démonter une partie de l'outil en raison de câbles électriques peuvent être égarés ou pincés.

CONSERVEZ CES INSTRUCTIONS

CORDONS RALLONGES

Si une rallonge est nécessaire, une corde avec des conducteurs de taille adéquate qui est capable de transporter le courant nécessaire pour votre outil doit être utilisée. Cela évitera une chute de tension excessive, une perte de puissance ou une surchauffe. Les outils mis à la terre doivent utiliser des rallonges à 3 fils qui ont des bouchons et des récipients à 3 branches.

REMARQUE : Plus le numéro de jauge est petit, plus le cordon est lourd.

Calibre de fil minimum recommandé pour cordons de rallonge (en 120 Volts)

Ampérage nominal (à pleine charge)	Longueur du cordon de rallonge en pieds					
	25	50	75	100	150	200
0-2	18	18	18	18	16	16
2-3,5	18	18	18	16	14	14
3,5-5	18	18	16	14	12	12
5-7	18	16	14	12	12	10
7-12	18	14	12	10	8	8
12-16	14	12	10	10	8	6

INSTRUCTIONS DE SÉCURITÉ IMPORTANTES RELATIVES AU CHARGEUR ET AU FONCTIONNEMENT DE LA BATTERIE

- **Conserver ces instructions!** Ce manuel contient des instructions de sécurité et d'utilisation importantes relatives au chargeur de batterie.
- **Avant d'utiliser le chargeur de batteries**, lire toutes les instructions et les mises en gardes figurant (1) sur le chargeur, (2) la batterie et (3) le produit utilisant la batterie.
- **Utilisez uniquement le chargeur qui accompagne votre produit** ou le remplacement direct énumérés dans ce manuel. Ne substituez aucun autre chargeur.
- **Ne pas recharger la batterie en environnement humide ou mouillé.** Ne pas exposer la batterie à l'eau ou à la pluie.
- **Ne pas utiliser le chargeur avec cordon endommagé ou la fiche.** Remplacer immédiatement.
- **Ne pas utiliser le chargeur s'il a reçu un choc violent**, s'il est tombé ou s'il a été endommagé de quelque façon que ce soit. Le confier à un réparateur qualifié.
- **Ne pas désassembler le chargeur ou la bloc de batterie** ; en confier l'entretien ou la réparation à un technicien qualifié. Un démontage incorrect peut entraîner un risque de choc électrique ou d'incendie.
- **Ne pas charger le bloc de batterie** à des température inférieure à 50 °F (10 °C) ou au-dessus de 104 °F (40 °C). Rangez l'outil et le bloc de batterie dans un endroit où la température ne dépasse pas 122 °F (50 °C). Ceci est important pour prévenir de graves dommages à la batterie.
- **Placez le chargeur sur une surface plate ininflammable** et à distance de matériaux inflammables quand re-charge le bloc de batterie.
- **Afin de réduire le risque de choc électrique**, débrancher le chargeur de la prise secteur avant de tenter de le nettoyer ou de le réparer.
- **Si l'autonomie de l'outil avant recharge est presque nulle**, arrêter immédiatement son utilisation. Toute utilisation prolongée dans un tel cas risque de provoquer une surchauffe, des brûlures, voir même une explosion.
- **Il peut y avoir une fuite de batterie dans des conditions extrêmes d'utilisation ou de température.** Evitez tout contact avec la peau et les yeux. Si le liquide vient en contact avec la peau, lavez rapidement à l'eau savonneuse. Si le liquide vient en contact avec les yeux, rincez-les à l'eau pendant au moins 10 minutes et sollicitez des soins médicaux.
- **Ne pas essayer d'utiliser un transformateur élévateur**, un générateur de moteur ou une prise d'alimentation CC.
- **Ne pas court-circuiter les bornes de la batterie.** Ne pas toucher les bornes avec un matériau conducteur. Éviter de stocker la bloc de batterie dans un conteneur comprenant d'autres objets métalliques tels que clous, pièces de monnaie, etc. Toujours protéger les bornes de la batterie lorsque la bloc de batterie n'est pas utilisée.
- **Ne pas charger la bloc de batterie dans une boîte ou un contenant de tout genre.** La batterie doit être placé dans un endroit bien aéré pendant le chargement.
- **Ne pas couvrir ou obstruer les événements du chargeur** avec quoi que ce soit.

INSTRUCTIONS DE SÉCURITÉ IMPORTANTES RELATIVES AU CHARGEUR ET AU FONCTIONNEMENT DE LA BATTERIE

- **Ne pas incinérer la bloc de batterie**, même si elle est gravement endommagée ou complètement usée. La batterie risque d'exploser à la chaleur.
- **Lorsqu'il n'est pas en usage**, débrancher le chargeur de l'alimentation secteur. Ceci réduira le risque de choc électrique ou de dommages au chargeur si des articles en métal venaient à tomber dans l'ouverture. Ceci aidera également à éviter des dommages au chargeur en cas de saute de tension.

INFORMATIONS IMPORTANTES AU SUJET DE LA BATTERIES

- Les batteries sont des batteries au **LITHIUM-ION** rechargeables. Certaines réglementations locales, provinciales / d'États et fédérales /nationales interdisent de jeter ces batteries à la décharge publique courante.
- Consulter les autorités locales compétentes en matière de traitement des déchets pour connaître les options d'élimination ou de recyclage disponibles
- Davantage d'informations relatives à l'élimination des batteries aux États-Unis et au Canada sont disponibles au site Internet www.rbrc.org/index.html, ou en appelant le 1-800-822-8837 (1-800-8BATTERY)



⚠ AVERTISSEMENT : Un court-circuit de batterie peut provoquer une intensité de courant importante, une surchauffe, des brûlures éventuelles et même une panne.

SYMBOLES

IMPORTANT : Certains des symboles suivants peuvent être utilisés sur votre outil et apparaissent tout au long du manuel. S'il vous plaît les étudier et apprendre leur signification pour les informations critiques pour l'opérateur de l'outil en toute sécurité.

SYMBOLE	DESCRIPTION	SYMBOLE	DESCRIPTION	SYMBOLE	DESCRIPTION
V	Volts	RPM	Rotations par minute		Symbole d'avertissement. Précautions destinées à assurer votre sécurité
A	Ampères	SPM	Coups par minute		Pour réduire le risque de blessure, Lire le manuel de l'opérateur avant d'utiliser ce produit
Hz	Hertz	OPM	Oscillations par minute		Porter des lunettes de sécurité, la protection de l'oreille et de la protection respiratoire
W	Watts		ou A.C. Courant alternatif		Ne pas jeter avec les ordures ménagères
n _o	Vitesse à vide		ou D.C. courant continu		Ne pas toucher la lame en cours d'exécution
kg	Kilogrammes		Ne pas utiliser à l'état humide		Construction de classe II Construction à double isolation
H	Heures		Ne pas mettre la batterie dans le feu		Ce symbole indique que ce produit est répertorié avec les exigences américaines et canadiennes par des tests ETL Laboratories, Inc.
.../min	Par minute		La batterie ne peut dépasser 59°C		

RÈGLES DE SÉCURITÉ SPÉCIFIQUES POUR PERCEUSES SANS FIL

⚠ AVERTISSEMENT : NE laissez PAS une fausse sécurité s'installer provoquée par confort et familiarité avec le produit (suite à des utilisations répétées) remplacer la stricte application des règles de sécurité pour la scie à onglets. Si vous utilisez cet outil dangereusement et incorrectement, vous pouvez subir de sérieuses blessures.

⚠ AVERTISSEMENT : Maintenez l'outil par les surfaces de prise isolées quand vous effectuez une opération où l'outil de coupe peut couper des fils électriques cachés ou son propre cordon. Le contact avec un fil sous tension peut également mettre sous tension des parties métalliques exposées de l'outil, et provoquer une commotion électrique pour l'opérateur!

- **Ne pas laisser l'outil en marche.** Utiliser l'outil uniquement en le tenant à la main.
- **Garder à l'esprit que cet outil est toujours prêt à fonctionner,** parce qu'il n'a pas besoin d'être branché sur une prise électrique.
- **Quand vous utilisez l'outil d'une position élevée,** faites attention aux personnes et objets en dessous de vous.
- **Toujours tenir l'outil fermement dans vos mains avant de mettre l'outil sur la position «ON».** La réaction au couple du moteur car il accélère à pleine vitesse peut causer de l'outil de tourner.

- **Portez une protection des yeux et oreilles.** Utilisez toujours de lunettes de sécurité avec écrans latéraux. Sauf sur avis contraire, les lunettes de tous les jours ne présentent qu'une résistance limitée aux impacts, ce ne sont PAS des lunettes de protection. Utilisez un équipement de sécurité certifié. La protection oculaire doit être conforme aux normes ANSI Z87.1. L'équipement de protection de l'audition doit être conforme aux normes ANSI S3.19.
- **Protection respiratoire.** Porter un masque facial ou un masque anti-poussière si le travail produit de la poussière. Le respect de cette règle réduira les risques de blessures graves.
- **Toujours débrancher bloc de batterie** de l'outil ou du lieu de la interrupteur dans la position verrouillée ou ARRÊT avant d'effectuer tout le montage, de réglages ou de changer d'accessoires. Suite à cette instruction de réduire le risque de blessure grave.
- **Ne pas placer les outils électriques sans fil ou leurs batteries** à proximité de flammes ou d'une source de chaleur. Ceci réduira les risques d'explosion et de blessures.
- **Ne jamais utiliser une batterie qui a été endommagée** ou soumise à un choc violent. Une batterie endommagée risque d'exploser. Éliminer immédiatement toute batterie.
- **Utilisez désigné bloc de batteries (Genesis™- Modèle: GLAB2020B ou GLAB2040B)** pour cet outil. L'utilisation d'autres batteries peut résulter un risque d'incendie.

OUVERTURE DE L'EMBALLAGE ET CONTENU

IMPORTANT : Grâce à des techniques modernes de production de masse, il est peu probable que l'outil est défectueux ou qu'une pièce est manquante. Si vous trouvez quelque chose de mal, ne pas faire fonctionner l'outil jusqu'à ce que les parties ont été remplacés ou la faute a été corrigée. Le fait de ne pas le faire pourrait entraîner des blessures graves.

CONTENU DANS UN CARTON

Description	Quantité	Description	Quantité
Perceuse/tournevis	1	Clip de ceinture	1
Bloc-batterie GLAB2020B	1	Embout de tournevis	1
Chargeur	1	Manuel de l'opérateur	1

SPÉCIFICATIONS

Puissance du moteur ... 20 V CC
Vitesse sans charge 0-380 / 0-1500 tr./min, réversible
Taille de mandrin 13 mm
Réglages de couple 22 + mode de perçage

Couple maximal 50 NM
Bloc-batterie 20 V Lithium-ion, 2,0 Ah
Chargeur 120 V~ / 60 Hz, 1,7 A
Poids net 1,45 kg

PRÉSENTATION DU PRODUIT

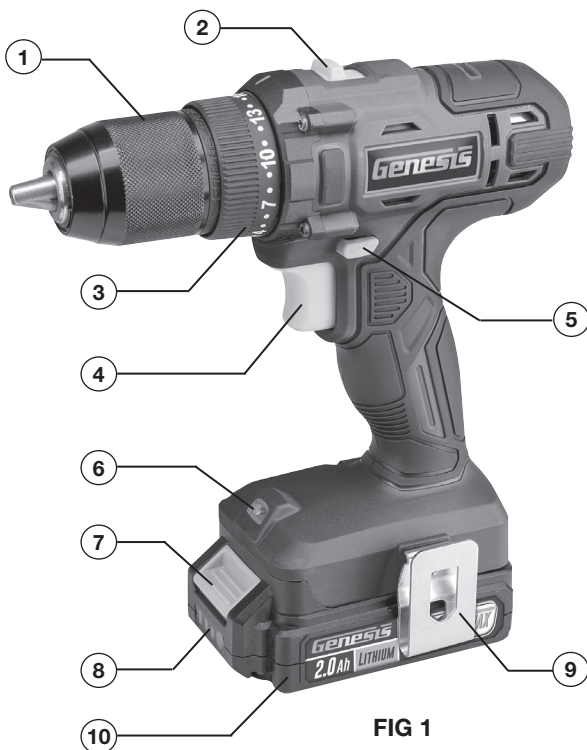
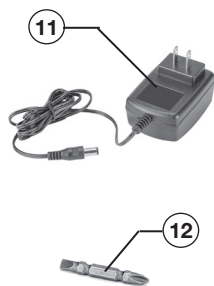


FIG 1



FONCTIONNEMENT

AVERTISSEMENT : Pour réduire le risque de graves blessures corporelles, lisez et suivez toutes les instructions et avertissements de sécurité avant d'utiliser cet outil.

AVERTISSEMENT : Assurez-vous toujours que l'outil est à l'arrêt avant d'insérer ou de retirer le bloc de batteries.

INSTALLATION OU RETRAIT DU BLOC-BATTERIE (FIG 2)

- Pour installer le bloc-batterie, faites-le glisser jusqu'au bout dans le boîtier de l'outil jusqu'à ce qu'il s'enclenche, comme illustré sur la figure 2. Tirez légèrement sur le bloc-batterie pour vous assurer qu'il est bien en place et qu'il ne tombera pas accidentellement, ce qui entraînerait en blessure.
- Pour retirer le bloc-batterie, retirez-le de l'outil tout en appuyant sur la languette de verrouillage (7).



FIG 2

CHARGEMENT DU BLOC-BATTERIE (FIG 3)

REMARQUE : Vérifiez toujours que l'alimentation électrique correspond à la tension indiquée sur la plaque de spécifications.

- Branchez le chargeur (11) dans une source d'alimentation électrique de 120 volts en courant alternatif. Le voyant

FONCTIONNEMENT

vert sur le chargeur s'allumera, confirmant qu'il est alimenté.

- Connectez le chargeur à la batterie (10) comme indiqué dans la FIG. 3. Le voyant rouge sur le chargeur s'allumera, indiquant que la batterie est en charge. Pendant ce temps, les voyants d'indication de puissance (8) sur le bloc-batterie, clignoteront, indiquant l'état de charge.
- Les trois voyants d'indication deviendront verts fixes une fois la charge terminée.
- Il est normal que les batteries deviennent chaudes pendant la charge.
- Si le bloc-batterie, est chaud après une utilisation continue de l'outil, laissez-le refroidir à la température ambiante avant de le recharger. Cela prolongera la durée de vie de vos batteries.

REMARQUE : Il faut environ 80 minutes pour recharger complètement une batterie de 2,0 Ah complètement déchargée.



FIG 3

INDICATEUR D'ALIMENTATION DU BLOC-BATTERIE (FIG 3)

Il y a un Indicateur d'alimentation de la batterie sur le bloc-batterie. Il comporte trois voyants verts (8b). Appuyez sur le bouton d'indicateur (8a) sur le côté pour vérifier le niveau de charge de la batterie. Lorsque les trois voyants s'allument, cela indique que le bloc-batterie est complètement chargé. le bloc-batterie est à moitié pleine lorsque deux voyants s'allument. Lorsqu'un seul voyant s'allume, cela indique que le bloc-batterie est à un niveau d'énergie faible et nécessite une recharge immédiate.

⚠ AVERTISSEMENT : Déconnectez toujours le bloc- batterie de l'outil ou placez l'interrupteur en position verrouillée ou éteinte avant toute opération d'assemblage, d'ajustement ou de changement d'accessoires.

ACTIONNEMENT DE LA GÂCHETTE D'INTERRUPTEUR (FIG 4)

- Allumez la perceuse en appuyant sur l'interrupteur de gâchette (4).
- Appuyer davantage sur l'interrupteur produira une vitesse et un couple plus élevés.
- Utilisez le commutateur de réversion (5) pour changer la direction de rotation de la perceuse.
- Le commutateur de réversion a trois positions : Avant, Arrière et Arrêt (au milieu).
- Vérifiez toujours la rotation avant de commencer votre travail.



FIG 4

COMMUNTEUR DE DEUX VITESSES (FIG 4)

- Faites glisser le commutateur de vitesse (2) pour choisir entre la position 1 pour la plage de vitesse élevée (0-1500 tr/min) et la position 2 pour la plage de vitesse basse (0-380 tr/min).
- La gamme des vitesses lentes détient plus de puissance et de couple. Utilisez la gamme des vitesses lentes pour les applications nécessitant puissance et couple.
- La gamme des vitesses élevées est destinée au perçage rapide et aux applications d'entraînement.

ÉCLAIRAGE DE TRAVAIL À LED

Votre outil est équipé d'un éclairage de travail à LED intégré (6 - FIG 1) pour illuminer la zone de travail. Lorsque vous allumez l'outil, l'éclairage de travail s'allumera automatiquement.

FREIN ÉLECTRIQUE

Cette perceuse est équipée d'un frein électrique. Tout comme les réglages de couple, un frein électrique vous offre un autre élément de contrôle lors de différentes opérations. Si l'outil ne parvient pas à s'arrêter rapidement de manière constante après la libération de l'interrupteur de gâchette, faites examiner l'outil par un professionnel qualifié.

MANDRIN (FIG 5)

- Votre perceuse est équipée d'une mandrin à cliquet en métal à manchon unique sans clé (1), vous permettant de changer rapidement les embouts sans avoir besoin d'outils supplémentaires.
- Pour insérer ou changer les embouts, placez le commutateur de réversion en position d'arrêt (au milieu). Tournez le corps du mandrin dans le sens antihoraire pour ouvrir les mâchoires du mandrin (1a) jusqu'à ce que l'ouverture soit légèrement plus grande que la taille de l'embout que vous avez l'intention d'utiliser. Insérez l'embout. Serrez les mâchoires du mandrin en tournant le corps du mandrin dans le sens horaire pour fixer l'embout en place.

REMARQUE : Assurez-vous toujours que les forets sont assis fermement entre les mâchoires du mandrin. N'essayez jamais d'utiliser un peu branlante, instable, ou cassé.

FUNCTIONNEMENT

- Pour retirer les embouts, placez le commutateur de réversion en position d'arrêt (au milieu). Desserrez les mâchoires du mandrin en tournant le corps du mandrin dans le sens antihoraire. Retirez l'embout.



RÉGLAGES DE MANDRIN (COUPLE)

- Durant les applications d'enfoncement de vis, vous pouvez régler le couple maximum que l'outil va appliquer.
- Cette possibilité peut être utilisée pour éviter le démontrement ou la cassure de la vis, ou afin de mettre en place une série de vis à une même profondeur convenant à votre projet.
- Positionnez le sélecteur de couple (3-FIG 1) sur les réglages de 1 (le plus faible) à 22 (le plus fort). Le mode de perçage (▲) est en mode d'entraînement direct (le couple n'est pas limité) et est principalement utilisé pour les opérations de perçage.
- En général, vous constaterez que les réglages plus bas sont plus utiles avec des vis plus petites, tandis que les réglages plus élevés sont plus utiles pour des vis plus grandes.

AVERTISSEMENT : Assurez-vous que la mèche est insérée de manière rectiligne dans les mâchoires du mandrin. N'insérez ni ne serrez la mèche avec un angle dans les mâchoires du mandrin. Ceci pourrait provoquer l'éjection de la mèche et être à l'origine de blessures graves.

APPLICATIONS

VISSAGE EN GÉNÉRAL

1. Maintenez votre pièce à travailler.
2. Percez des avant-trous pour les plus grosses vis ou quand vous enfoncez vos vis dans du bois dur.
3. Exercez suffisamment de pression pour amorcer le vissage et laissez tourner. Ne forcez pas sur la vis, laissez l'outil faire le travail.
4. Utilisez une vitesse qui ne va pas démembrer la tête de vis ou la casser.

PERÇAGE EN GÉNÉRAL

1. Maintenez votre pièce à travailler. Utilisez le mode de perçage (▲), puis exercez suffisamment de pression pour démarrer l'embout de perceuse et continuez à percer. Ne forcez pas l'embout et ne le bloquez pas. Ne pliez pas ou ne tordez pas l'embout. Laissez l'outil et l'embout de perceuse faire le travail.
2. Gardez votre équilibre et soyez préparé en cas de grippage ou de traversée brusque du matériau.

AVERTISSEMENT : Forcer sur un foret de perçage, en le fléchissant ou le tordant, ou l'absence de maintien d'équilibre en cas de grippage ou de percée brusque, peuvent entraîner de sérieuses blessures.

3. Un broutement ou des vibrations peuvent indiquer que vous avez besoin d'un foret plus petit ou d'une plus grande vitesse. Si le foret chauffe trop ou s'obstrue, cela peut indiquer que vous avez besoin d'un foret plus gros ou d'un réglage de vitesse inférieur. Remplacez les forets quand ils deviennent émoussés, ils donneraient de mauvais résultats et pourraient amener une surchauffe de la perceuse.
4. Utilisez une fine couche d'huile légère lorsque vous percez dans du métal pour aider à refroidir l'embout, améliorer l'action de perçage et prolonger la durée de vie de l'embout de perceuse.

ENTRETIEN

NETTOYAGE

Éviter d'utiliser des solvants pour le nettoyage des pièces en plastique. La plupart des matières plastiques peuvent être endommagées par divers types de solvants du commerce. Utiliser un chiffon propre pour éliminer la saleté, la poussière, l'huile, la graisse, etc.

⚠ AVERTISSEMENT : Ne jamais laisse de liquides tels que le fluide de freins, l'essence, les produits à base de pétrole, les huiles pénétrantes, etc., entrer en contact avec les pièces en plastique. Les produits chimiques peuvent endommager, affaiblir ou détruire le plastique, ce qui peut entraîner des blessures graves.

Les outils électriques utilisés sur la fibre de verre, le pla-coplâtre, les mastics de bouchage ou le plâtre s'usent plus vite et sont susceptibles de défaillance prématurée, car les particules et les éclats de fibre de verre sont fortement abrasifs pour les roulements, balais, commutateurs, etc. En conséquence, nous ne recommandons pas d'utiliser cet outil pour un travail prolongé avec ces types de matériaux. Toutefois, si l'outil a été utilisé sur l'un de ces matériaux, il est extrêmement important de le nettoyer à l'air comprimé.

LUBRIFICATION

Ce outils est lubrifiés en permanence à l'usine et ne nécessitent aucune lubrification supplémentaire.

GARANTIE DE DEUX ANS

Ce produit est garanti exempt de défauts dus au matériaux et à la main d'œuvre pendant 2 ans à compter de sa date d'achat. Cette garantie limitée ne couvre pas l'usure normale ni les détériorations ou dommages dus à négligence, utilisation anormale ou accident. L'acheteur d'origine est couvert par cette garantie mais elle n'est pas transférable. Avant de renvoyer votre l'outil au magasin d'achat, s'il vous plaît appelez sans frais la ligne d'aide pour les solutions possibles.

CE PRODUIT N'EST PAS GARANTI S'IL EST UTILISÉ POUR DES FINS INDUSTRIELLES OU COMMERCIALES. LES ACCESSOIRES COMPRIS DANS CE KIT NE SONT PAS COUVERTS PAR LA GARANTIE DE 2 ANS.

LIGNE D'ASSISTANCE SANS FRAIS

Pour vos questions sur ce produit ou un autre de GENESIS, veuillez utiliser en Amérique du Nord ce numéro d'appel sans frais: **888-552-8665**.

Ou visitez notre site web: **www.genesispowertools.com**



Busque este símbolo que indica precauciones de seguridad importantes. Éste significa ¡¡¡atención!!! Su seguridad está involucrada.



¡ADVERTENCIA: Antes de utilizar este equipo, lea y entienda todas las advertencias, precauciones e instrucciones de operación. No seguir todas las instrucciones enumeradas a continuación, podría resultar en una descarga eléctrica, un incendio y/o lesiones personales graves.



¡ADVERTENCIA: La operación de cualquier herramienta motorizada puede provocar el lanzamiento de objetos extraños hacia sus ojos, lo cual puede resultar en daño grave de los ojos. Antes de iniciar la operación con la herramienta, siempre colóquese gafas de seguridad con protectores laterales y cuando sea necesario, una careta de protección de toda la cara. Recomendamos las caretas de visión amplia para utilizar sobre las gafas de seguridad con protectores laterales. Siempre utilice protección de ojos que esté marcada indicando el cumplimiento de la norma ANSI Z87.1

REGLAS GENERALES DE SEGURIDAD

¡ADVERTENCIA: Algunos polvos producidos por actividades como lijar, aserrar, pulir, taladrar y otras actividades relacionadas con la construcción contienen productos químicos que se sabe causan cáncer, defectos de nacimiento u otros daños en el sistema reproductivo. Algunos ejemplos de estos productos químicos son:

- Plomo procedente de pinturas de base de plomo.
- Sílice cristalina procedente de ladrillos, cemento y otros productos de mampostería.
- Arsénico y cromo procedentes de la madera tratada químicamente.

El riesgo de estas exposiciones varía, dependiendo de la frecuencia con que se realiza este tipo de trabajo. Para reducir la exposición a estos productos químicos: trabaje en una área con buena ventilación y con los equipos de seguridad aprobados, tales como mascarillas antipolvo especialmente diseñadas para eliminar por filtración partículas microscópicas.

ÁREA DE TRABAJO

- **Mantenga limpia y bien iluminada el área de trabajo.** Una mesa de trabajo mal despejada y una mala iluminación son causas comunes de accidentes.
- **No utilice herramientas motorizadas en atmósferas explosivas,** como las existentes alrededor de líquidos, gases y polvos inflamables. Las herramientas eléctricas generan chispas que pueden encender el polvo y los vapores inflamables.
- **Mantenga alejados a los circunstantes,** niños y demás presentes al utilizar una herramienta eléctrica. Toda distracción puede causar la pérdida del control de la herramienta.

SEGURIDAD EN EL MANEJO DE EQUIPO ELÉCTRICO

- **La herramienta eléctrica enchufes debe coincidir con la toma de corriente.** Nunca modifique el enchufe de ninguna manera. No utilice ningún adaptador de enchufes en cualquier tierra (tierra) las herramientas eléctricas. Las herramientas con aislamiento doble están equipadas de una

clavija polarizada (una patilla es más ancha que la otra). Esta clavija encaja de una sola forma en una toma de corriente polarizada. Si la clavija no encaja completamente en la toma de corriente, invierta la clavija. Si aún así no encaja, comuníquese con un electricista calificado para que instale una toma de corriente polarizada. No modifique la clavija de ninguna manera. Con el aislamiento doble se elimina la necesidad de usar cables de tres conductores y conexión a tierra, así como de sistemas de alimentación eléctrica con conexión a tierra.

- **No exponga las herramientas eléctricas a la lluvia ni a condiciones de humedad.** La introducción de agua en una herramienta eléctrica aumenta el riesgo de descargas eléctricas.
- **Evite el contacto del cuerpo con las superficies de objetos conectados a tierra,** como las tuberías, radiadores, estufas y refrigeradores. Existe un mayor riesgo de descargas eléctricas si el cuerpo está en contacto con tierra.
- **No maltrate el cordón eléctrico.** Nunca use el cordón eléctrico para portar las herramientas ni para sacar la clavija de una toma de corriente. Mantenga el cordón lejos del calor, aceite, bordes afilados y piezas móviles. Cambie de inmediato todo cable eléctrico dañado. Los cordones eléctricos dañados aumentan el riesgo de descargas eléctricas.
- **Al utilizar una herramienta eléctrica en el exterior,** utilice un cordón eléctrico de extensión que lleve las marcas "W-A" o "W". Estos cordones eléctricos están aprobados para el uso en exteriores y reducen el riesgo de descargas eléctricas.
- **No utilice el adaptador de CA evaluado las herramientas con un suministro de corriente.** Si bien la herramienta puede parecer que el trabajo, los componentes eléctricos de la herramienta de CA nominal es probable que no y plantear un peligro para el operador.

SEGURIDAD PERSONAL

- **Permanezca alerta,** preste atención a lo que esté haciendo y aplique el sentido común al utilizar herramientas eléctricas. No utilice la herramienta si está cansado o se encuentra bajo los efectos de

REGLAS GENERALES DE SEGURIDAD

alguna droga, alcohol o medicamento. Un momento de inatención al utilizar una herramienta eléctrica puede causar lesiones corporales serias.

- **Use equipo de seguridad.** Siempre póngase protección para los ojos. Cuando lo exijan las circunstancias debe ponerse careta contra el polvo, zapatos de seguridad antiderrapantes, casco o protección auditiva
- **Vístase adecuadamente.** No vista ropas holgadas ni joyas. Recójase el cabello si está largo. Mantenga el cabello, la ropa y los guantes alejados de las piezas móviles. Las ropas holgadas, las joyas y el cabello largo pueden engancharse en las piezas móviles.
- **Evite un arranque accidental de la unidad.** Asegúrese que el interruptor está apagado antes de conectar la unidad. Llevar las herramientas con el dedo en el interruptor o conectarlas con el interruptor puesto es causa común de accidentes.
- **Retire toda llave o herramienta de ajuste antes de encender la herramienta eléctrica.** Toda llave o herramienta de ajuste dejada en una pieza giratoria de la herramienta eléctrica puede causar lesiones.
- **No estire el cuerpo para alcanzar una distancia mayor a la natural.** Mantenga una postura firme y buen equilibrio en todo momento. La postura firme y el buen equilibrio permiten un mayor control de la herramienta en situaciones inesperadas.
- **Si los aparatos que se ofrecen para la conexión de extracción de polvo y de instalaciones de recogida,** asegurar que estos están conectados y se utilizan adecuadamente. El uso de estos dispositivos puede reducir los riesgos relacionados con el polvo.
- **No utilice la unidad al estar en una escalera o en un soporte inestable.** Una postura estable sobre una superficie sólida permite un mejor control de la herramienta en situaciones inesperadas.
- **Mantenga la herramienta seca,** limpia y libre de aceite y grasa. Siempre utilice un trapo limpio para realizar actividades de limpieza. Nunca utilice fluidos de freno, gasolina, productos de base de petróleo, ni ningún solvente, para limpiar la herramienta.

EMPLEO Y CUIDADO DE LA HERRAMIENTA

- **Asegure la pieza de trabajo.** Utilice prensas de sujeción o una prensa de banco para sostener la pieza de trabajo cuando sea posible. Utilizar prensas de sujeción o dispositivos mecánicos similares es más seguro que utilizar su mano(s) y le permite utilizar ambas manos para operar la herramienta. Perder el control de la pieza de trabajo puede causar lesiones personales.
- **No fuerce la herramienta.** Utilice la herramienta adecuada para cada tarea. La herramienta adecuada efectúa mejor y de manera más segura el trabajo, si además se maneja a la velocidad para la que está diseñada.
- **Utilice la herramienta correcta para el trabajo.** No fuerce la herramienta o accesorio utilizándolo en un trabajo para el cual no fue diseñado. No utilice la herramienta para un propósito para el cual no está diseñada ya que podría producirse daño a la máquina y/o lesiones personales.

- **No utilice la herramienta si el interruptor no realiza la operación de encendido y apagado.** Solicite a un centro de servicio autorizado que reemplace los interruptores defectuosos.
- **Apague la máquina,** y desconecte la máquina de la fuente de energía antes de ajustar o cambiar los valores de ajuste, o al realizar reparaciones. Podría ocurrir un arranque accidental que cause lesiones personales.
- **Guarde las herramientas que no estén en uso fuera del alcance de los niños** y de toda persona no capacitada en el uso de las mismas. Las herramientas son peligrosas en manos de personas no capacitadas en el uso de las mismas.
- **Proporcione mantenimiento con cuidado a las herramientas.** Revise para ver si hay desalineación o atoramiento de piezas móviles, ruptura de piezas o toda otra condición que pueda afectar el funcionamiento de la herramienta. Si se daña la herramienta, llévela a servicio antes de volver a utilizarla. Numerosos accidentes son causados por herramientas mal cuidadas.
- **Utilice los accesorios recomendados.** Utilizar accesorios no recomendados por el fabricante o no diseñados para uso en una herramienta de este tipo, podría causar daño a la máquina o lesiones personales al usuario. Consulte el manual del operario para conocer los accesorios recomendados.
- **Mantenga las herramientas de corte afiladas y limpias.** Las herramientas de corte bien cuidadas, con bordes bien afilados, tienen menos probabilidad de atascarse en la pieza de trabajo y son más fáciles de controlar.
- **Empuje la pieza de trabajo en la dirección y velocidad correctas.** Empuje la pieza de trabajo dentro de la hoja, cuchilla o superficie abrasiva únicamente en dirección contraria a la dirección de rotación de la herramienta de corte. El empuje incorrecto de la pieza de trabajo en la misma dirección de rotación de la herramienta de corte provoca que la pieza de trabajo sea lanzada a alta velocidad.
- **Nunca deje la herramienta funcionando sin supervisión.** Desactive la energía. No abandone la máquina hasta que se haya detenido por completo.

USO Y CUIDADO DE LAS HERRAMIENTAS ALIMENTADAS BATERÍA

- **Asegúrese de que el interruptor está en la posición de apagado antes de insertar la batería.** Inserción de la batería en las herramientas eléctricas que tienen el interruptor en invita a los accidentes.
- **Recarga sólo con el cargador especificado por el fabricante.** Un cargador que adecuado para un tipo de paquete de batería puede crear un riesgo de incendio cuando se usa con otra paquete de batería.
- **Utilice las herramientas eléctricas sólo especifica paquete de batería.** Uso de cualquier otro tipo de paquete de batería puede crear un riesgo de incendio y lesiones.
- **Evitar el almacenamiento de paquete de batería en un contenedor** con otros objetos metálicos, como clavos, monedas, clips, llaves, tornillos, u otros pequeños objetos metálicos que pueden hacer

REGLAS GENERALES DE SEGURIDAD

una conexión de una terminal a otra. Siempre la protección de los terminales de la batería cuando la batería no se utiliza. Cortocircuito de la batería junto terminal puede provocar quemaduras o un incendio.

- **En condiciones abusivas**, es posible que se eyecte líquido de la batería, evite el contacto, si se produce contacto accidental, lave con el agua, líquido contactos ojos Si, además, buscar ayuda médica. Líquido sale de la batería puede causar irritación o quemaduras.
- **No se necesita conectar a una toma de corriente las herramientas de pilas**; por lo tanto, siempre están en condiciones de funcionamiento. Esté consciente de los posibles.

SERVICIO

- **Han toolto su poder ser reparado por una persona cualificada de reparación utilizando sólo repuestos idénticos.** Esto garantizará que la seguridad de la herramienta de poder se mantiene.
- **Servicio de su herramienta eléctrica periódicamente.** Cuando una herramienta de limpieza, cuidado de no desmontar cualquier parte de la herramienta interna, porque los cables pueden ser apretado fuera de lugar.

GUARDE ESTAS INSTRUCCIONES

CABLES DE EXTENSIÓN

Si es necesario un cable de extensión, se debe usar un cable con conductores de tamaño adecuado que sea capaz de transportar la corriente necesaria para su herramienta. Esto evitará una caída excesiva de voltaje, pérdida de energía o sobrecalentamiento. Las herramientas conectadas a tierra deben usar cables de extensión de 3 hilos que tengan enchufes y receptáculos de 3 puntas.

NOTA: Cuanto menor sea el número de calibre, más pesado será el cable.

Calibre de alambre mínimo recomendado para cables de extensión (120 Voltios)

Amperios según la placa de datos (a plena carga)	Longitud del cable de extensión (Pies)					
	25	50	75	100	150	200
0-2	18	18	18	18	16	16
2-3.5	18	18	18	16	14	14
3.5-5	18	18	16	14	12	12
5-7	18	16	14	12	12	10
7-12	18	14	12	10	8	8
12-16	14	12	10	10	8	6

INSTRUCCIONES DE SEGURIDAD IMPORTANTES PARA CARGADOR Y BATERÍAS

- **Guarde estas instrucciones** – Este manual contiene instrucciones de seguridad y operación importantes para el cargador de baterías.
- **Antes de usar el cargador de baterías**, lea todas las instrucciones y marcas de precaución en el (1) cargador de bateríaS, (2) batería y (3) producto que use la batería.
- **Utilice sólo el cargador que acompañó a su producto** o sustitutos directos que figuran en este manual. No se puede sustituir cualquier otro cargador.
- **No recargue la batería en lugares húmedos** o medio ambiente húmedo. No exponga la batería al agua o la lluvia.
- **No utilice el cargador** si está dañado el cordón o la clavija, Reemplace inmediatamente.
- **No utilice el cargador si ha recibido un golpe contundente**, se ha caído o se ha dañado de alguna otra forma; llévelo a un técnico de reparaciones capacitado.
- **No desmonte el cargador o el paquete de batería**; llévelo a un técnico de reparaciones capacitado cuando requiera servicio o reparación. El montaje incorrecto puede resultar en un riesgo de descarga eléctrica o incendio.
- **No cargue el paquete de batería la temperatura** está por debajo de 50 °F (10 °C) o superior a 104 °F (40 °C). La herramienta de la tienda y

la batería en un lugar donde la temperatura no superará los 122 °F (50 °C). Esto es importante para evitar daños graves a la batería de células.

- **Ponga el cargador sobre superficies planas ininflamables** y alejado de materiales inflamables cuando la recarga el paquete de batería.
- **Para reducir el riesgo de descarga eléctrica**, desenchufe el cargador de la toma de corriente antes de tratar de efectuar cualquier tarea de mantenimiento o limpieza.
- **Si el tiempo de operación se ha hecho mucho más corto**, deje de hacerlo funcionar inmediatamente. Puede resultar en un riesgo de recalentamiento, posibles quemaduras e incluso en una explosión.
- **En condiciones extremas de uso o temperatura**; las baterías pueden emanar líquido. Si el líquido llega a tocarle la piel, lávese de inmediato con agua y jabón, y después neutralice los efectos con jugo de limón o vinagre. Si le entra líquido en los ojos, láveselos con agua limpia por lo menos 10 minutos, y después busque de inmediato atención médica. Con el cumplimiento de esta regla se reduce el riesgo de lesiones serias.
- **No trate de usar un transformador elevador**, un generador de motor o un receptáculo de CC.

INSTRUCCIONES DE SEGURIDAD IMPORTANTES PARA CARGADOR Y BATERÍAS

- **No cortocircuite el paquete de baterías.** No toque los terminales con ningún material conductor. No guarde el paquete de batería en un recipiente con otros objetos de metal como clavos, monedas, etc. Proteja siempre los terminales de las pilas cuando no se use el paquete de batería.
- **No cargue dentro de una caja o recipiente de ninguna clase.** La batería debe colocarse en un área bien ventilada durante la carga.
- **No deje que nada cubra u obstruya los respiraderos del cargador.**
- **No incinere el paquete de batería** incluso si está muy dañado o está completamente des gastado. El paquete de batería puede estallar en un incendio.
- **Cuando no esté en uso el cargador desconéctelo del suministro de voltaje.** De esta manera se reduce el riesgo de una descarga eléctrica o daños al cargador si artículos metálicos caen en la abertura. Esto también ayuda a evitar dañar el cargador en el caso de una subida de voltaje.

⚠ ADVERTENCIA: Un cortocircuito de la pila puede causar una gran corriente, recalentamiento, posibles quemaduras e incluso la rotura.

INFORMACIÓN IMPORTANTE DE LAS BATERÍA

- Las baterías son recargables de LITHIUM-ION baterías. Ciertas leyes locales, estatales y federa les prohíben desechar estas pilas en la basura normal.
- Consulte con sus autoridades de desechos locales para ver cuáles son sus funciones de desecho/reciclado.
- Se dispone de más información referente al desecho de baterías en EE.UU. y Canadá en; <http://www.rbrcc.org/index.html>, o llamando al 1-800-822-8837 (1-800-8BATTERY).



GUARDE ESTAS INSTRUCCIONES

SÍMBOLOS

IMPORTANTE: Algunos de los siguientes símbolos pueden usarse en su herramienta y aparecer en todo el manual. Estúdielos y aprenda su significado para obtener información crítica para operar la herramienta de manera segura.

SÍMBOLOS	DESCRIPCIÓN	SÍMBOLOS	DESCRIPCIÓN	SÍMBOLOS	DESCRIPCIÓN
V	Voltios	RPM	Rotaciones por minuto		Símbolo de advertencia. Precauciones para su seguridad
A	Amperios	SPM	Carreras por minuto		Para reducir el riesgo de lesiones, el Manual del Operador Leer antes de usar este producto
Hz	Hertz	OPM	Oscilaciones por minuto		Use gafas de seguridad, protección auditiva y protección respiratoria
W	Watts	or A.C.	Corriente alterna		No se deshaga con la basura doméstica
n _o	Velocidad en vacío	or D.C.	Corriente directa		No toque la hoja funcionando
kg	Kilogramos		Ne pas utiliser à l'état humide		Construcción Clase II Construcción de doble aislamiento
H	Horas		Ne pas mettre la batterie dans le feu		Este símbolo indica que este producto está en la lista de los requisitos de Estados Unidos y Canadá por medio de pruebas ETL Laboratories, Inc
.../min	por minuto		La batterie ne peut dépasser 59°C		

REGLAS DE SEGURIDAD ESPECÍFICAS PARA TALADROS INALÁMBRICO

⚠️ ADVERTENCIA: No permita que la confianza o familiaridad con el producto (lograda después del uso repetido) reemplace el estricto cumplimiento de estas reglas de seguridad para sierras ingleteadoras. Si usted utiliza esta herramienta de manera insegura o incorrecta, usted puede sufrir graves lesiones personales.

⚠️ ADVERTENCIA: Sujete la herramienta mediante las superficies de agarre aisladas al realizar una operación donde la herramienta de corte pudiera hacer contacto con cables ocultos o su propio cable. ¡El contacto con un cable energizado provocará que las piezas metálicas expuestas de la herramienta se energicen y provoquen una descarga eléctrica al operario!

- **No deje la herramienta en funcionamiento.** Opere la herramienta sólo cuando la tenga sujeta con la mano.
- **Esté consciente en cuenta que esta herramienta** está siempre en condiciones de funcionamiento, ya que no tiene que ser conectado a una toma de corriente eléctrica.
- **Cuando opere la herramienta en una posición elevada,** tenga cuidado con las persona cosas debajo de usted.
- **Sujete siempre la herramienta firmemente** en manos antes de encender la herramienta de "ON". La reacción a la par del motor a medida que acelera a toda velocidad puede causar que la herramienta gire.

- **Utilice protección de ojos y auditiva.** siempre utilice gafas de seguridad con protectores laterales. A menos que se especifique de otra manera, las gafas comunes de uso diario sólo proporcionan resistencia limitada a los impactos, estas gafas NO son gafas de seguridad. Sólo utilice equipos de seguridad certificados; los equipos de protección de ojos deben cumplir las normas ANSI Z87.1. Los equipos de protección auditiva deben cumplir las normas ANSI S3.19.
- **Protéjase los pulmones.** Use una careta o mascarilla contra el polvo si la operación genera mucho polvo. Con el cumplimiento de esta regla se reduce el riesgo de lesiones serias.
- **Retire siempre la paquete de batería de la herramienta,** o coloque el interruptor en la posición de bloqueo o apagado antes de hacer cualquier montaje, ajuste o cambio de accesorios. Después de esta instrucción de reducir el riesgo de lesiones personales graves.
- **No coloque las herramientas alimentadas por baterías,** ni las baterías mismas cerca del fuego o del calor. De esta manera se reduce el riesgo de explosiones y de lesiones.
- **Nunca vuelva a utilizar una batería** que haya sufrido una caída o un golpe sólido. Las baterías dañadas pueden sufrir explosiones. Deseche de inmediato toda batería que haya sufrido una caída o cualquier daño.
- **Utilice la paquete de batería (Genesis™, Modelo GLAB2020B o GLAB2040B)** para esta herramienta. El uso de otro paquete de batería puede ocasionar un riesgo de incendio.

DESEMPAQUETADO Y CONTENIDO

IMPORTANTE: Debido a las modernas técnicas de producción en masa, es poco probable que la herramienta está defectuoso o que una parte se pierda. Si encuentra algo incorrecto, no opere la herramienta hasta que las partes han sido sustituidos o la falla ha sido corregida. El no hacerlo podría resultar en lesiones graves.

PIEZAS SUELTAS EN LA CARTÓN

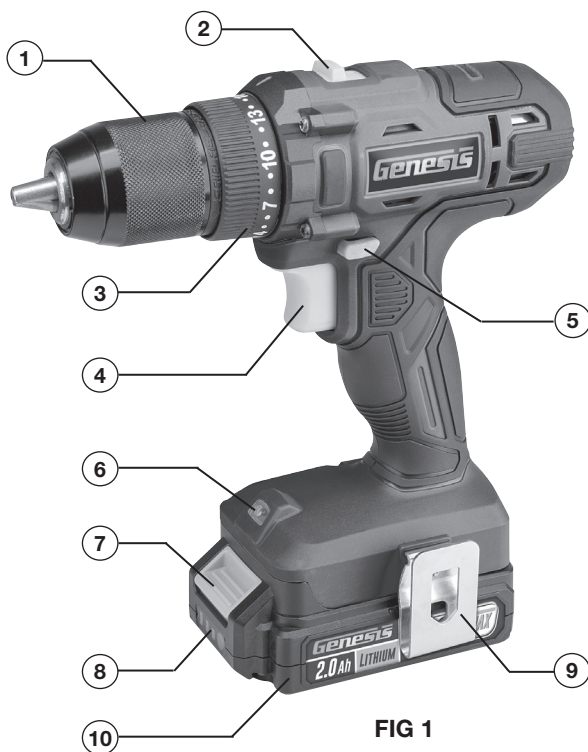
Descripción	Cantidad	Descripción	Cantidad
Taladro/Destornillador	1	Clip para cinturón	1
Paquete de batería GLAB2020B	1	Punta de destornillador	1
Cargador	1	Manual del operador	1

ESPECIFICACIONES

Potencia del motor 20V CC
 Velocidad sin carga 0-380 / 0-1500 RPM,
 reversible
 Tamaño de mandril sin llave 1/2"
 Calibraciones de torque 22+modo de perforación

Torque máximo 450 in-lb
 Batería..... 20 Volt, Litio-Ion, 2.0Ah
 cargado.....120V~/60Hz, 1.7A
 Peso neto.....3.2 libras

DESCRIPCIÓN DEL PRODUCTO



1. Mandril de metal sin llave
2. Selector de transmisión de dos velocidades
3. Selector del esfuerzo de torsión
4. Interruptor de Gatillo
5. Selector de reversa
6. Luz del trabajo del LED
7. Lengüeta de fijación para la batería
8. Indicador de carga de la batería
9. Clip para cinturón
10. Paquete de batería
11. Cargador
12. Punta de destornillador

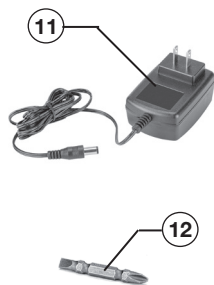


FIG 1

FUNCIONAMIENTO

⚠ ADVERTENCIA: Para reducir el riesgo de serias lesiones personales, lea y siga todas las advertencias de seguridad importantes y las instrucciones antes de usar esta herramienta.

⚠ ADVERTENCIA: Asegúrese siempre de que la herramienta esté apagada antes de introducir o sacar el paquete de batería.

INSTALACIÓN O RETIRADA DEL PAQUETE DE BATERÍA (FIG 2)

- Para instalar el paquete de baterías, deslice la batería en la parte inferior de la caja de la herramienta hasta el final hasta que encaje en su lugar con un clic, como se muestra en la figura 2. Tirar ligeramente de la batería para asegurarse de que está bloqueado en su lugar y no se caiga por accidente de la broca, causando una lesión.
- Para retirar el paquete de baterías, tire de la batería para sacarla de la herramienta mientras presiona la lengüeta de fijación (7).



FIG 2

CARGA DE LA BATERÍA (FIG 3)

NOTA: Verifique siempre que el voltaje de la red corresponda al voltaje nominal que figura en la placa del cargador.

FUNCIONAMIENTO

- Conecte el cargador (11) a una fuente de energía de 120 voltios de CA. La luz indicadora verde en el cargador se iluminará, confirmando que está encendido.
- Conecte el cargador a la batería (10) como se muestra en la FIG 3. La luz roja en el cargador se encenderá, indicando que la batería se está cargando. Mientras tanto, las luces indicadoras de energía (8) en el paquete de batería parpadearán, indicando el estado de carga.
- Las tres luces indicadoras se volverán de color verde sólido una vez que la carga esté completa.
- Es normal que las baterías se calienten durante la carga.
- Si el paquete de batería está caliente después de un uso continuo en la herramienta, permita que se enfríe a temperatura ambiente antes de cargarlo. Esto prolongará la vida de sus baterías.

NOTA: Se tarda aproximadamente 80 minutos en cargar completamente una batería de 2.0Ah descargada por completo.

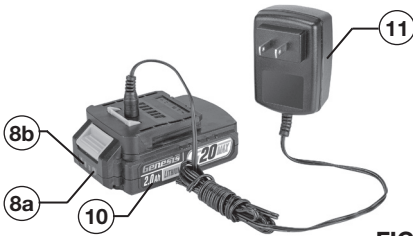


FIG 3

INDICADOR DE CARGA DE LA BATERÍA (FIG 3)

Hay un indicador de energía de la batería en el paquete de batería. Tiene tres luces verdes (8b). Presione el botón indicador de energía (8a) en el lateral para verificar el nivel de energía de la batería. Cuando las tres luces se iluminan, indica que la batería está completamente cargada. La batería está a la mitad de su capacidad cuando se iluminan dos luces. Cuando solo se ilumina una luz, indica que la batería tiene un nivel bajo de energía y requiere una carga inmediata.

ADVERTENCIA: Retire siempre la paquete de batería de la herramienta, o coloque el interruptor en la posición de bloqueo o apagado antes de hacer cualquier montaje, ajuste o cambio de accesorios.

ACCIÓN DEL INTERRUPTOR DE GATILLO (FIG 4)

- Encienda el taladro presionando el interruptor de gatillo (4).
- Presionar adicionalmente el interruptor producirá más velocidad y torsión.
- Utilice el selector de reversa (5) para cambiar la dirección de rotación del taladro.
- El interruptor de reversa tiene tres posiciones: Adelante, Reversa y Apagado (en el medio).
- Siempre verifique la dirección de rotación antes de comenzar su trabajo.

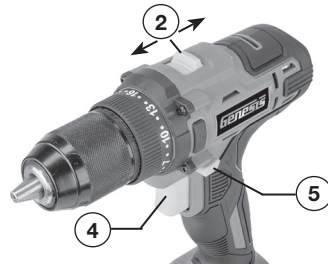


FIG 4

SELECTOR DE TRANSMISIÓN DE DOS VELOCIDADES (FIG 4)

- Llevar el selector de transmisión (2) a la posición 1 para alta velocidad (0-1500 RPM) o a la posición 2 para baja velocidad (0-380 RPM).
- El rango de baja velocidad ofrece más potencia y torque. Usar el rango de baja velocidad para trabajos donde la potencia y el torque sean importantes.
- En rango de alta velocidad es para perforar o manejar herramientas con velocidad.

LUZ DE TRABAJO LED

Su herramienta cuenta con una luz de trabajo LED incorporada (6-FIG 1) para iluminar el área de trabajo. Cuando encienda la herramienta, la luz de trabajo se encenderá automáticamente.

FRENO ELÉCTRICO

Este taladro está equipado con un freno eléctrico. Similar a los valores de ajuste de torsión, el freno eléctrico proporciona otro elemento de control durante las diferentes operaciones. Si la herramienta falla continuamente en detenerse rápidamente después de que se libera el interruptor de gatillo solicite a un técnico de servicio capacitado que examine la herramienta.

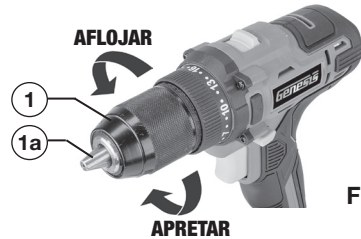


FIG 5

MANDRIL (FIG 5)

- Su taladro está equipado con un mandril de trinquete metálico de manga única sin llave (1), lo que le permite cambiar rápidamente las brocas sin necesidad de herramientas adicionales.
- Para insertar o cambiar brocas, coloque el interruptor de reversa en la posición de apagado (en el medio). Gire el cuerpo del mandril en sentido contrario a las agujas del reloj para abrir las mordazas del mandril (1a) hasta un punto donde la abertura sea ligeramente más grande

FUNCIONAMIENTO

que el tamaño de la broca que planea utilizar. Inserte la broca. Apriete las mordazas del mandril girando el cuerpo del mandril en sentido horario para asegurar la broca en su lugar.

NOTA: Asegúrese siempre de que las brocas estén firmemente colocadas entre las mordazas del mandril. Nunca intente operar una broca que esté suelta, inestable o rota.

- Para quitar las brocas, coloque el interruptor de reversa en la posición de apagado (en el medio). Afloje las mordazas del mandril girando el cuerpo del mandril en sentido contrario a las agujas del reloj. Retire la broca.

⚠ ADVERTENCIA: Verificar que la broca esté bien alineada en el mandril. No ajustar una broca que se haya introducido en ángulo en el mandril. Esto podría causar que la broca sea expulsada del taladro y causar accidentes personales graves.

VALORES DE AJUSTE (TORSIÓN) DEL EMBRAGUE

- Durante aplicaciones de atornillado, puede ajustar el par máximo que el taladro producirá.
- Esta característica se puede utilizar para evitar el desgaste y rotura de los tornillos, o para ajustar una serie de tornillos a una profundidad que se adapte a su proyecto.
- Ajuste el anillo de embrague (3-Figura 1) a configuraciones de 1 (más ligero) a 22 (más pesado). El modo de taladro (⚙) es de transmisión directa (el par no está limitado) y se utiliza principalmente para operaciones de perforación
- En general, encontrará que las configuraciones más bajas son más útiles con tornillos más pequeños y las configuraciones más altas son más útiles para tornillos más grandes.

APLICACIÓN

CONSEJOS GENERALES PARA ATORNILLAR

1. Sujete su pieza de trabajo.
2. Taladre agujeros guía para tornillos más grandes o al conducir tornillos en maderas duras.
3. Aplique suficiente presión para comenzar el tornillo y mantenerlo girando. No fuerce el tornillo. Deje que la herramienta haga el trabajo.
4. Utilice una velocidad que no dañe la cabeza del tornillo ni lo rompa. Mantenga su equilibrio.

PROCEDIMIENTO GENERAL DE TALADRADO

1. Sujete su pieza de trabajo. Utilice el modo de taladro (⚙) y aplique suficiente presión para iniciar la broca y continuar perforando. No fuerce ni detenga la broca. No doble ni tuerza la broca. Deje que la herramienta y la broca hagan el trabajo.
2. Mantenga su equilibrio y esté preparado para situaciones de atasco y avance de la broca.

⚠ ADVERTENCIA: Forzar una broca, doblar o torcer la broca, o no mantener el equilibrio en caso de atasco y avance puede resultar en lesiones personales graves

3. La vibración o el traqueteo pueden indicar que necesita una broca más fina o una velocidad más alta. Si la broca se recalienta o se obstruye, puede indicar que necesita una broca más gruesa o una configuración de velocidad más lenta. Reemplace las brocas cuando se vuelvan opacas. Las brocas opacas producirán resultados deficientes y pueden sobrecalentar el taladro.
4. Utilice lubricantes como aceite en la punta ayudará a enfriar la broca, aumentar la acción de perforación y prolongar la duración de la broca.

MANTENIMIENTO

LIMPIEZA

Evite el empleo de solventes al limpiar piezas de plástico. La mayoría de los plásticos son susceptibles a diferentes tipos de solventes comerciales y pueden resultar dañados. Utilice paños limpios para eliminar la suciedad, el polvo, el aceite, la grasa, etc.

⚠️ ADVERTENCIA: No permita en ningún momento que fluidos para frenos, gasolina, productos a base de petróleo, aceites penetrantes, etc., lleguen a tocar las piezas de plástico. Las sustancias químicas pueden dañar, debilitar o destruir el plástico, lo cual a su vez puede producir lesiones corporales serias.

Las herramientas eléctricas que se utilizan en materiales de fibra de vidrio, paneles de yeso para paredes, compuestos de resanar o yeso, están sujetas a desgaste acelerado y posible fallo prematuro porque las partículas y limaduras de fibra de vidrio son altamente abrasivas para los cojinetes, escobillas, conmutadores, etc. Por consiguiente, no recomendamos el uso de esta herramienta durante períodos prolongados de trabajo en estos tipos de materiales. Sin embargo, si usted trabaja con cualquiera de estos materiales, es sumamente importante limpiar la herramienta con aire comprimido.

LUBRICACIÓN

Su herramientas permanentemente lubricado en la fábrica y no requieren lubricación adicional.

GARANTÍA DE DOS AÑOS

Este producto está garantizado contra defectos de material y de fabricación durante 2 años a partir de la fecha de compra. Esta garantía limitada no cubre el desgaste normal o daños por negligencia o accidente. El comprador original está cubierto por esta garantía y no es transferible. Antes de devolverlo su herramienta para almacenar la ubicación de la compra, por favor llame gratis a la línea de ayuda para las posibles soluciones.

ESTE PRODUCTO NO ESTÁ GARANTIZADO SI SE UTILIZA PARA PROPÓSITOS INDUSTRIALES O COMERCIALES.

LOS ACCESORIOS INCLUIDOS CON ESTE JUEGO NO TIENEN 2 AÑOS DE GARANTÍA.

LÍNEA DE AYUDA GRATUITA

Para preguntas acerca de este o cualquier otro producto GENESIS Llame gratuitamente al teléfono:

888-552-8665.

O visite nuestro sitio web: **www.genesispowertools.com**

Genesis[®]

G20^{MAX}

Richpower Industries, Inc.
736 Hampton Road
Williamston, SC USA
www.genesispowertools.com