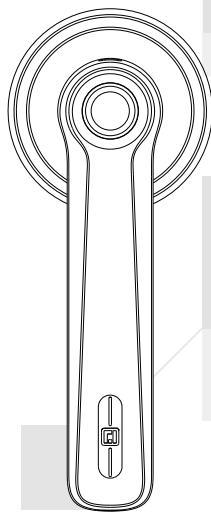


User Manual

Model No.: L-B202



IMPORTANT: Read the instructions carefully before operating the appliance and keep them for future reference.

Important Notes	2
How To Use	3
Specifications	15
Troubleshooting	16
Lock Operation	17

Welcome

GeekSmart bids you welcome to a world of smart home devices, smart locks, and smart surveillance. We at GeekSmart strive to explore and develop the the smart home industry for the good of all. We combine bridge cutting-edge technologies to develop products fit and ready for the market. Please visit our website www.geektechnology.com

Before installing, please scan the QR codes to watch our easy step-by-step installation video. If you have questions regarding the installation process please contact us by mail customercare@geektechnology.com or by phone **1-844-801-8880/(862)352-0406**.

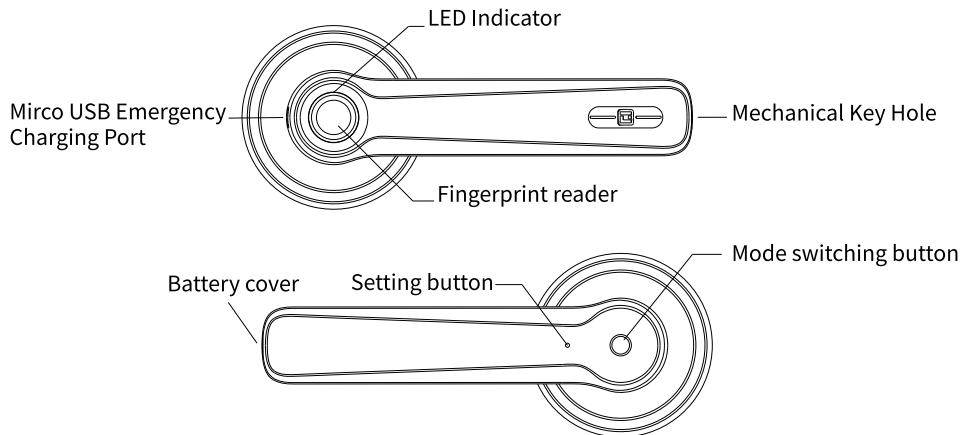


Scan the QR code for more assistance and support

Important Notes

- Do not use the power drill for installation.
- Please read all the instructions before contacting customer support.
- User as mentioned below may have problems using our fingerprint reader:
 - User under seven years old or over eighty years old.
 - Fingerprint indistinct.
- Do use our latch in our box, or else it will cause our lock not work.
- If you have a new door, please drill the holes according to Drill Template, you can visit our website which can help you finish the installation with videos.
- Please contact customer support before returning the product to the store.**
- Any fingerprints can unlock GeekSmart L-B202 in Factory Default Mode.

Product Description



Preparing For Installation

Include in the box



A. Exterior handle



B. Interior handle



C. Latch



D. Strike parts



E. Keys



F. Screws A x4



G. Screws B x4



H. Rubber Gasket



I. Micro USB



J. Reset needle



$2\frac{3}{8}$ " (60mm)



$2\frac{3}{4}$ " (70mm)

Check the door's dimensions

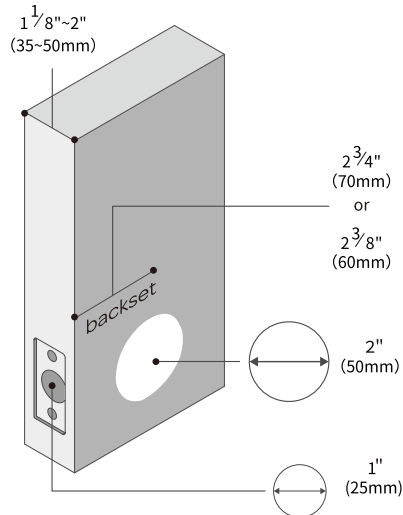
Step 1: Measure to confirm that the door is between $1\frac{1}{8}"$ ~ $2"$ (35mm~50mm) thick

Step 2: Measure to confirm that the hole in the door is $2"$ (50mm)

Step 3: Measure to confirm that the backset is either $2\frac{3}{8}"$ ~ $2\frac{3}{4}"$ (60~70mm)

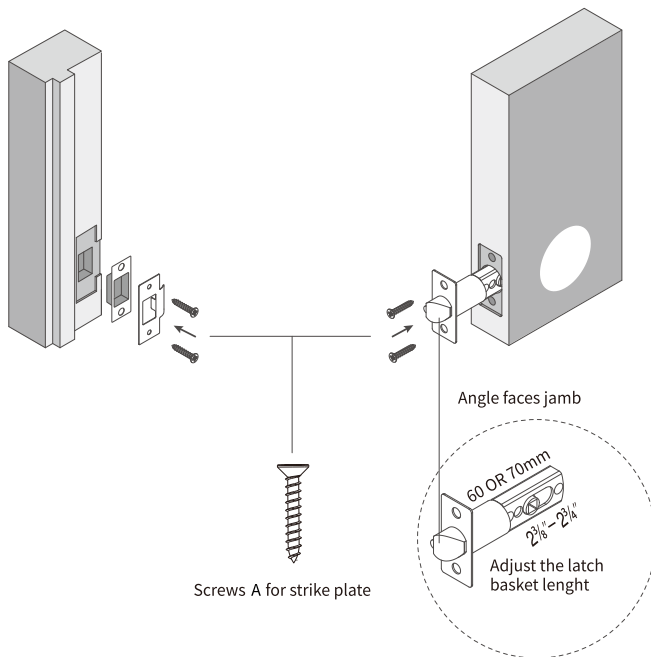
Step 4: Measure to confirm that the hole in the door edge is $1"$ (25 mm)

NOTE: If you have a new door, please drill the holes according to Drill Template.



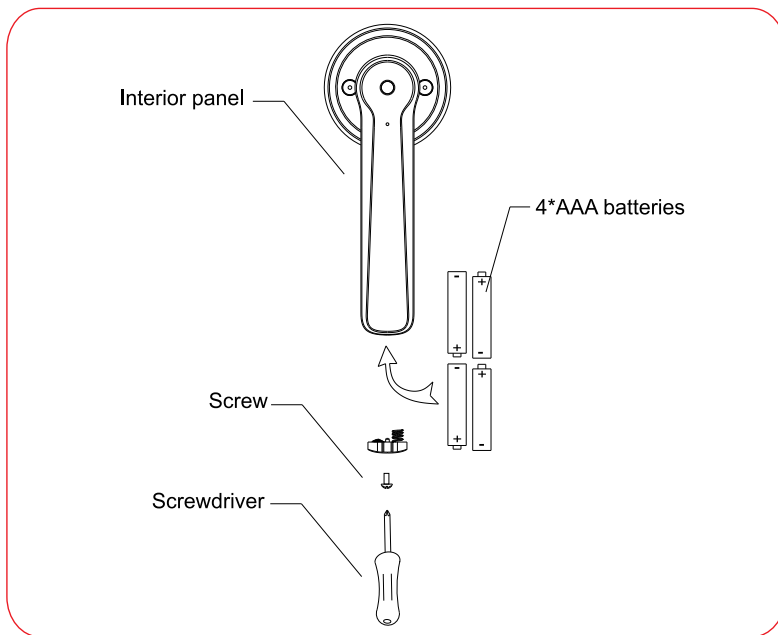
Installing Latch and Strike Plate

1. Install latch into the door ,Make sure latch fit for inside opnering or outside opening door.
2. Install the strike into the door frame,make sure the latch can go into the strike smoothly



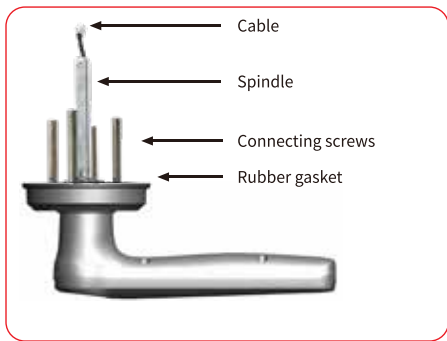
The installtion for battery

1. Disassembly battery cover by screwdriver.
2. Insert 4*AAA batteries according to positive and negative pole.
3. Install battery cover , and secure it with the screw.



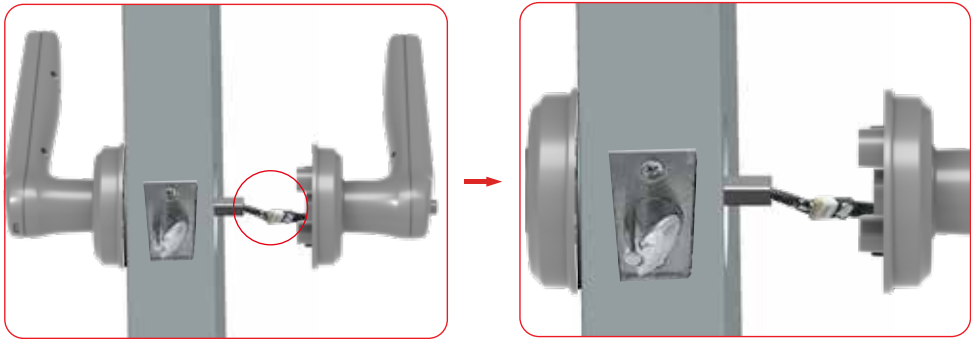
Installing Exterior Handle

Remember to attach rubber gasket to handle before insertion.



Installing Interior Handle

1. Connect two cables ,one from inside spindle of exterior handle ,one from interior handle



2. Insert interior handle into door, secure it using screws B into the exterior handle.
3. Use the rubber plug cover the screw.

Important check your lock After installation.

Before activate your APP make sure that your lock has been installed properly.

1. Touch the lock's fingerprint reader, The lock will remind you to add the master's fingerprint.
2. Close the door and check if the latch can go smoothly into the strike plate

App operation guide

1.App Download Instructions

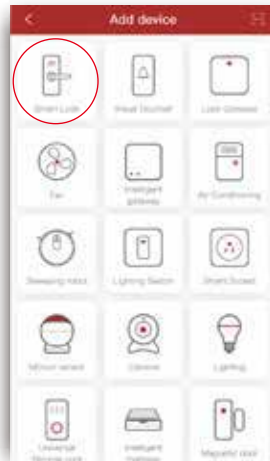
- (1) Scan the QR code to the right, you can use Android and IOS to download the APP.
- (2) Android version software can be downloaded in the Google Play store. Search "GeekSmart".
- (3) iOS version of the software can be downloaded in the iPhone App Store. Search "GeekSmart".



2.Adding new Door Lock by app.(Note: You should stand close to the door lock)



① Click "Add device"



② Select the lock.



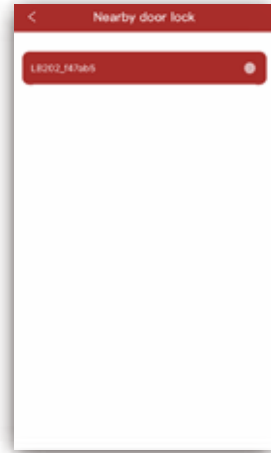
③ Select lock L-B202.



④ Turn on Bluetooth.



⑤ Touch the fingerprint reader



⑥ Select your lock reader

3.Fingerprint management



① Note : please click “+” symbol on the upper right corner to add a fingerprint



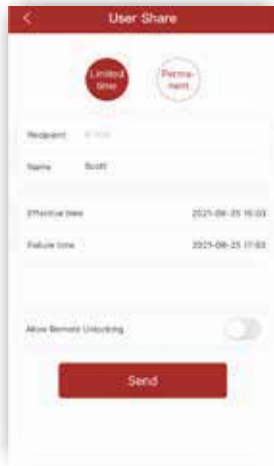
② Input fingerprint account name and action time



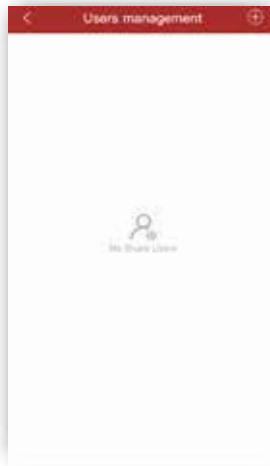
③ Scan fingerprint into the system

After the enrollment of the administrator into the APP, the administrator will have the top Management right in the lock and the system. The administrator can add the user fingerprint and set their valid time. Even the administrator can delete any user fingerprinting. And check all the records of the unlock record for the system.

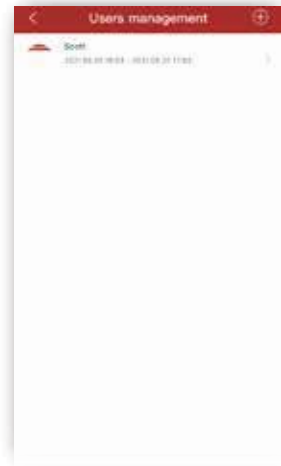
4. Users management



① Please click "+" in the right upper corner to add new user.



② Choose access schedule for these users.



③ Admin can see and manage all user.

Admins can send Ekeys to emails. The receiver needs to download the GeekSmart app and log in to use the Ekey.

Administrators can manage all users, delete Limited time user or Permanent user and view unlock records.

Specifications

Name	Description
Power Supply	4 PCS AAA 1.5V Battery
USB Interface	Micro USB
APP	GeekSmart
Unlock Mode	Fingerprint,Bluetooth,Key
Fingerprint Capacity	110Max
Fingerprint Pixels	508dpi
Identification Speed	0.25 sec
False Positive Rate	<0.001%
Rejection Rate	<1%
Working Temperature	-5-55°C
Working Humidity	40%~85%(no condensation)
Low power warrinning	4.8V ± 0.2V

Troubleshooting

Q: After the door lock is installed, there is no response or abnormal behaviour.

A: Please check as follows:

- ① Check the battery installation direction and make sure that the battery has sufficient power.
- ② Make sure the battery cover is in place.

Q: What signal will I receive when the battery is low?

- A: ① Low power, there will be a voice reminder when unlocking, and the power can be viewed in the APP door lock setting interface.
- ② The remaining power can be provided about 50 times to unlock, please replace battery in time

Q: What should I do if the battery is totally dead?

A: There is a microUSB port at the head of the front handle. You can use this interface to temporarily power the door lock through a power bank etc.

Q: I can't fit the battery cover in place.

A: Please check as follows:

- ① Check the battery pole orientation.
- ② Check the cable from inside spindle of exterior handle with interior handle

Q: I lost my phone, how to reset the door lock as soon as possible for safety?

A: In this case, we recommend that you perform a factory reset and set a new administrator.

Q: The fingerprint recognition success rate is different from what the manual says.

- A: ① When entering the fingerprint, please try to move the position of the fingertip slightly every time you enter the fingerprint, so that you can enter a larger fingerprint area. Please try to cover areas that are frequently used.
- ② Fingers are too dry, wet, oily or dirty.
 - ③ There is direct sunlight on the sensor.

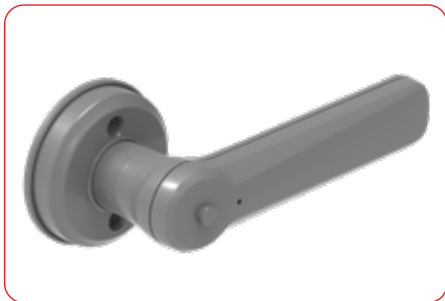
Lock Operation

Use a microfiber cloth and wipe across the fingerprint reader surface.

NOTE: THE FIRST 2 FINGERPRINTS ADDED ARE ADMINISTRATOR. When 2 admin-user fingerprints have been collected, adding new fingerprints will prompt normal-user fingerprint collection.

Delete all fingerprints (Factory Reset)

Use Reset Needle to hold press the setting button on the interior handle for 9-10seconds. After prompting "initialization success" the lock has been reset and ALL FINGERPRINTS (INCLUDING ADMINS).



Reset Needle pressing the setting button

FCC warning

Any Changes or modifications not expressly approved by the party responsible for compliance could void the user's authority to operate the equipment.

Note: This equipment has been tested and found to comply with the limits for a Class B digital device, pursuant to part 15 of the FCC Rules. These limits are designed to provide reasonable protection against harmful interference in a residential installation. This equipment generates uses and can radiate radio frequency energy and, if not installed and used in accordance with the instructions, may cause harmful interference to radio communications. However, there is no guarantee that interference will not occur in a particular installation. If this equipment does cause harmful interference to radio or television reception, which can be determined by turning the equipment off and on, the user is encouraged to try to correct the interference by one or more of the following measures:

- Reorient or relocate the receiving antenna.
- Increase the separation between the equipment and receiver.
- Connect the equipment into an outlet on a circuit different from that to which the receiver is connected.
- Consult the dealer or an experienced radio/TV technician for help.

This device complies with part 15 of the FCC Rules. Operation is subject to the following two conditions: (1) This device may not cause harmful interference, and (2) this device must accept any interference received, including interference that may cause undesired operation.



GeekSmart®

Bring The Future Home

Geek Technology Co.Ltd.
120 Route 46 West,
Parsippany, NJ 07054.
Toll Free
1-844-801-8880
(862)352-0406

